

Mounted Ball Bearing Units



TURNER.
WORTH MORE.

Table of Contents

Introduction 2
Features 3

Turner Mounted Ball Bearing Units - Inch Series

UCP 200 4
HCAK 200 5
UCPX 00 6
UCTB 200 7
HCTB 200 8
UCF 200 9
HCFS 200 10
UCFX 00 11
UCFL 200 12
UCFT 200 13
HCFJT 200 14
SBLF 200 15
UCFC 200 16
UCFCX 00 17
UCFB 200 18
UCST 200 19
HCST 200 20
UC 200 21
HC 200 22
SA 200 23
CSA 200 23
SB 200 24
CSB 200 24
UCX 00 25
SER 200 26

Turner Mounted Ball Bearing Units - Metric Series

UCP 200 27
HCAK 200 28
UCPX 00 29
UCTB 200 30
HCTB 200 31
UCF 200 32
HCFS 200 33
UCFX 00 34
UCFL 200 35
UCFT 200 36
HCFJT 200 37
SBLF 200 38
UCFC 200 39
UCFCX 00 40
UCFB 200 41
UCST 200 42
HCST 200 43
UC 200 44
HC 200 45
SA 200 46
CSA 200 46
SB 200 47
CSB 200 47
UCX 00 48
SER 200 49

Engineering

Lubrication Chart 50
Limiting Speed 51
Load Rating Data 52
Installation Instructions 54
Interchange Guide 56

Turner... Worth More.

Turner mounted ball bearing units have some features that not only set them apart from the competition, they make Turner . . . Worth More!

Solid Base

Turner mounted ball bearing units have a solid base, giving them added housing strength over other products that don't have this feature.

SAE 52100 Bearing Steel Inner and Outer Race

Turner uses true bearing steel. Other manufacturers use cheaper steel on the inner race.

Wide Inner Race

Turner's wide inner race reduces cocking and increases life.

Steel Retainer

Turner's steel retainer provides increased thermal and fatigue resistance vs. cheaper plastic retainers used by other manufacturers.

Anti-Rotation Device

Turner uses an anti-rotation device, which keeps the bearing from spinning in the housing while allowing it to self-align.

Seal with Flinger

Turner uses a seal with a flinger that spins with the inner race, keeping dirt away. This creates a labyrinth to keep contaminants out.

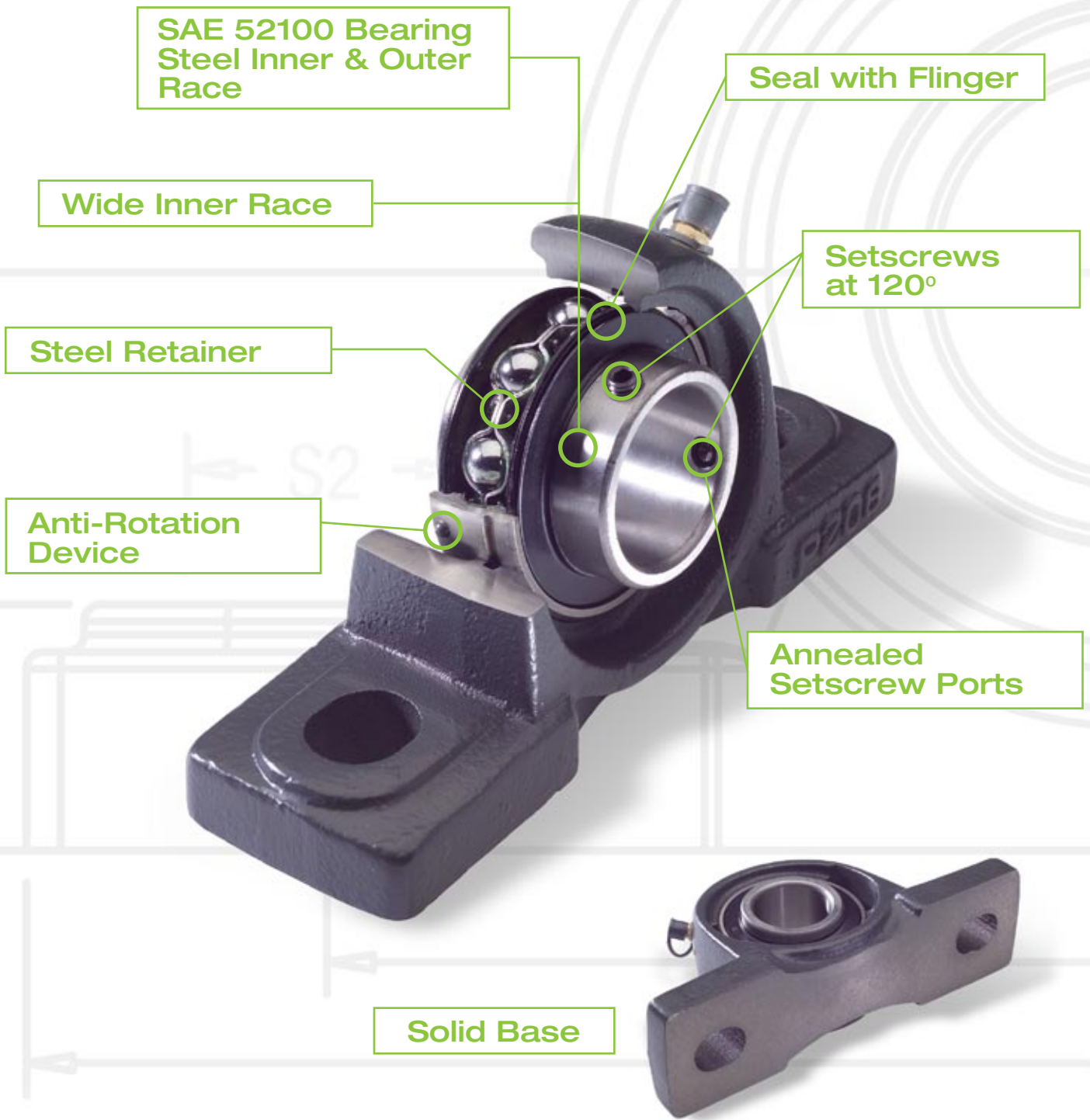
Setscrews at 120 degrees

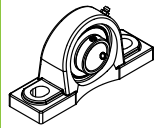
Turner has setscrews at 120 degrees, which balance internal forces on the inner ring. This retains the roundness of the inner ring, increasing life.

Annealed Setscrew Ports

Turner anneals the setscrew ports, which eliminates cracking of the inner race in this area.

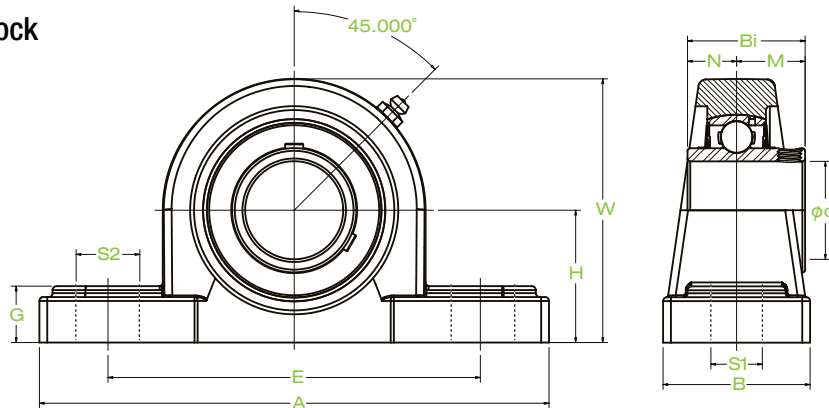
Features





UCP 200

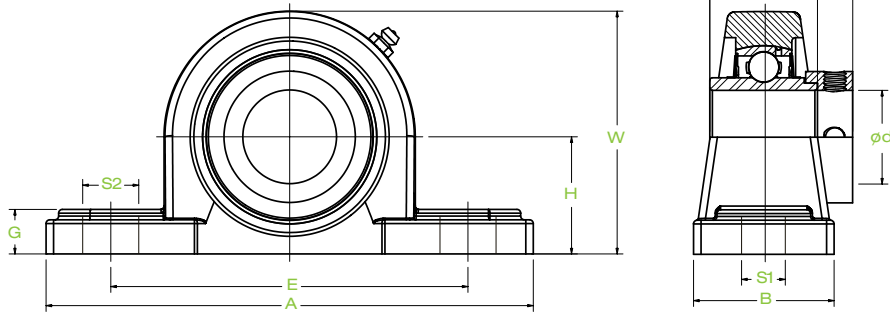
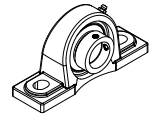
Normal-Duty Pillow Block
Setscrew Lock
Inch Series



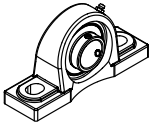
Bearing Number	Dimensions (in.)												Bolt Size	Load Rating (lbs.)		Unit Wt. (lbs.)	Insert Number	Housing Number
	d	H	A	E	B	S2	S1	G	W	Bi	N	M		Dynamic	Static			
UCP 201-8	1/2															1.46	UC 201-8	
UCP 202-10	5/8	1.31	5.00	3.74	1.50	0.75	0.51	0.55	2.56	1.220	0.500	0.720	3/8	2,866	1,492	1.43	UC 202-10	P 204
UCP 204-12	3/4															1.37	UC 204-12	
UCP 205-14	7/8															1.81	UC 205-14	
UCP 205-15	15/16	1.44	5.51	4.13	1.50	0.75	0.51	0.59	2.80	1.343	0.563	0.780	3/8	3,130	1,755	1.76	UC 205-15	P 205
UCP 205-16	1															1.74	UC 205-16	
UCP 206-18	1 1/8															2.07	UC 206-18	
UCP 206-19	1 3/16	1.69	6.50	4.76	1.89	0.83	0.67	0.67	3.27	1.500	0.626	0.874	3/8	4,355	2,522	2.84	UC 206-19	P 206
UCP 206-20	1 1/4															2.82	UC 206-20	
UCP 207-20	1 1/4															3.35	UC 207-20	
UCP 207-22	1 3/8	1.87	6.57	5.00	1.89	0.83	0.67	0.71	3.66	1.689	0.689	1.000	1/2	5,754	3,439	3.26	UC 207-22	P 207
UCP 207-23	1 7/16															3.22	UC 207-23	
UCP 208-24	1 1/2	1.94	7.24	5.39	2.13	0.83	0.67	0.71	3.86	1.937	0.748	1.189	1/2	6,518	3,996	4.37	UC 208-24	P 208
UCP 209-26	1 5/8															5.75	UC 209-26	
UCP 209-27	1 11/16	2.13	7.48	5.75	2.13	0.83	0.67	0.79	4.17	1.937	0.748	1.189	1/2	7,372	4,630	5.67	UC 209-27	P 209
UCP 209-28	1 3/4															5.58	UC 209-28	
UCP 210-30	1 7/8															5.91	UC 210-30	
UCP 210-31	1 15/16	2.25	8.11	6.26	2.36	0.98	0.79	0.83	4.49	2.031	0.748	1.283	5/8	7,857	5,186	5.80	UC 210-31	P 210
UCP 210-32	2															5.67	UC 210-32	
UCP 211-32	2															7.98	UC 211-32	
UCP 211-34	2 1/8	2.50	8.62	6.73	2.36	0.98	0.79	0.91	4.96	2.189	0.874	1.315	5/8	9,663	6,568	7.72	UC 211-34	P 211
UCP 211-35	2 3/16															7.61	UC 211-35	
UCP 212-36	2 1/4															9.81	UC 212-36	
UCP 212-38	2 3/8	2.75	9.49	7.24	2.76	0.98	0.79	0.98	5.43	2.563	1.000	1.563	5/8	11,715	8,084	9.46	UC 212-38	P 212
UCP 212-39	2 7/16															9.30	UC 212-39	
UCP 213-40	2 1/2	3.00	10.43	7.99	2.76	1.14	0.98	1.06	5.94	2.563	1.000	1.563	3/4	12,795	8,958	11.86	UC 213-40	P 213
UCP 214-43	2 11/16															14.44	UC 214-43	
UCP 214-44	2 3/4	3.13	10.47	8.27	2.83	1.22	0.98	1.06	6.18	2.937	1.189	1.748	3/4	13,896	9,839	14.37	UC 214-44	P 214
UCP 215-47	2 15/16															15.67	UC 215-47	
UCP 215-48	3	3.25	10.83	8.54	2.91	1.22	0.98	1.10	6.42	3.063	1.311	1.752	3/4	14,975	10,757	15.45	UC 215-48	P 215

HCAK 200

Normal-Duty Pillow Block
Eccentric Lock
Inch Series

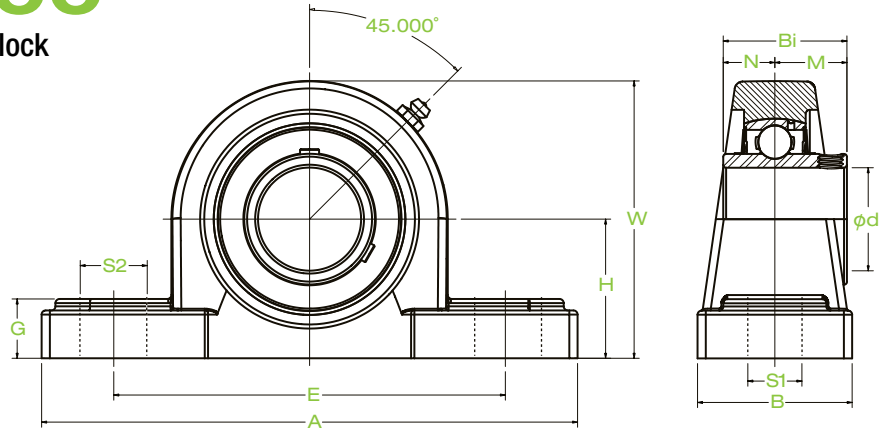


Bearing Number	Dimensions (in.)												Bolt Size	Load Rating (lbs.)		Unit Wt. (lbs.)	Insert Number	Housing Number
	d	H	A	E	B	S2	S1	G	W	Bi	M	N		Dy-namic	Static			
HCAK 201-8	1/2															1.92	HC 201-8	AK 204
HCAK 202-10	5/8	0.86	5.24	3.86	1.61	0.63	0.47	0.56	2.52	1.720	0.673	0.673	3/8	2,866	1,492	1.85	HC 202-10	
HCAK 204-12	3/4															1.90	HC 204-12	
HCAK 205-14	7/8															2.23	HC 205-14	AK 205
HCAK 205-15	15/16	1.31	5.51	4.13	1.77	0.63	0.47	0.63	2.68	1.748	0.685	0.689	3/8	3,130	1,755	2.18	HC 205-15	
HCAK 205-16	1															2.14	HC 205-16	
HCAK 206-18	1 1/8															2.43	HC 206-18	AK 206
HCAK 206-19	1 3/16	1.56	6.30	4.76	1.89	0.75	0.59	0.67	3.15	1.906	0.717	0.720	1/2	4,355	2,522	2.89	HC 206-19	
HCAK 206-20	1 1/4															2.82	HC 206-20	
HCAK 207-20	1 1/4															3.92	HC 207-20	AK 207
HCAK 207-22	1 3/8	1.81	6.57	5.00	1.89	0.75	0.59	0.75	3.62	2.012	0.740	0.740	1/2	5,754	3,439	3.79	HC 207-22	
HCAK 207-23	1 7/16															3.70	HC 207-23	
HCAK 208-24	1 1/2	1.94	7.13	5.51	2.13	0.75	0.59	0.75	3.94	2.217	0.843	0.843	1/2	6,518	3,996	4.78	HC 208-24	AK 208
HCAK 209-26	1 5/8															5.69	HC 209-26	AK 209
HCAK 209-27	1 11/16	2.06	7.48	5.75	2.13	0.75	0.59	0.83	4.17	2.217	0.843	0.843	1/2	7,372	4,630	5.58	HC 209-27	
HCAK 209-28	1 3/4															5.49	HC 209-28	
HCAK 210-30	1 7/8															6.77	HC 210-30	AK 210
HCAK 210-31	1 15/16	2.19	7.99	6.26	2.24	0.94	0.79	0.87	4.45	2.469	0.969	0.969	5/8	7,857	5,186	6.64	HC 210-31	
HCAK 210-32	2															6.50	HC 210-32	
HCAK 211-32	2															9.13	HC 211-32	AK 211
HCAK 211-34	2 1/8	2.44	9.13	7.13	2.36	0.94	0.79	0.98	4.92	2.811	1.091	1.094	5/8	9,663	6,568	8.82	HC 211-34	
HCAK 211-35	2 3/16															8.64	HC 211-35	
HCAK 212-36	2 1/4															11.13	HC 212-36	AK 212
HCAK 212-38	2 3/8	2.69	9.49	7.48	2.52	0.94	0.79	1.14	5.43	3.063	1.217	1.220	5/8	11,715	8,084	10.74	HC 212-38	
HCAK 212-39	2 7/16															10.54	HC 212-39	
HCAK 213-40	2 1/2	2.69	9.76	7.64	2.76	1.14	0.87	1.06	5.55	3.374	1.343	1.343	3/4	12,795	8,958	14.77	HC 213-40	AK 213
HCAK 214-43	2 11/16															16.31	HC 214-43	AK 214
HCAK 214-44	2 3/4	3.25	11.57	9.13	2.83	1.26	0.87	1.14	6.30	3.374	1.343	1.343	3/4	13,896	9,839	16.05	HC 214-44	
HCAK 215-47	2 15/16															20.30	HC 215-47	AK 215
HCAK 215-48	3	3.31	11.97	9.49	2.91	1.26	0.87	1.26	6.50	3.626	1.469	1.469	3/4	14,975	10,757	20.02	HC 215-48	



UCPX 00

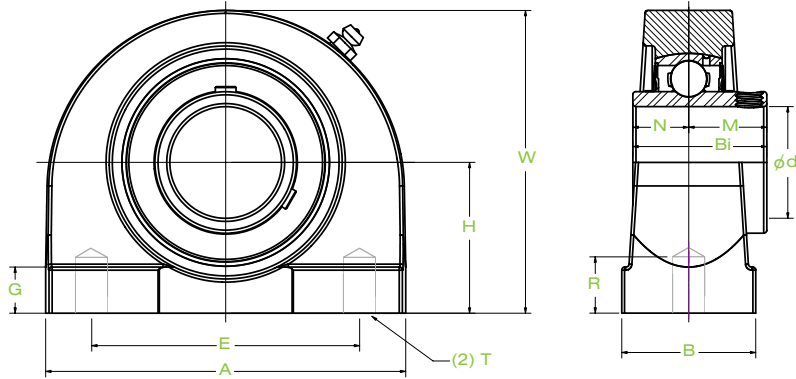
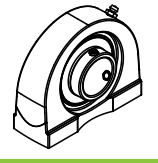
Medium Duty Pillow Block
Setscrew Lock
Inch Series



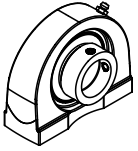
Bearing Number	Dimensions (in.)												Bolt Size	Load Rating (lbs.)		Unit Wt. (lbs.)	Insert Number	Housing Number
	d	H	A	E	B	S2	S1	G	W	Bi	N	M		Dynamic	Static			
UCPX 05-16	1	1.75	6.26	4.69	2.01	0.98	0.67	0.71	3.35	1.500	0.626	0.874	1/2	4,355	2,522	3.00	UCX 05-16	PX 05
UCPX 06-18	1 1/8	1.87	6.89	5.00	2.24	0.98	0.67	0.79	3.70	1.689	0.689	1.000	1/2	5,754	3,439	4.19	UCX 06-18	PX 06
UCPX 06-19	1 3/16															4.12		
UCPX 06-20	1 1/4															4.08		
UCPX 07-20	1 1/4	2.13	7.99	5.67	2.24	1.18	0.67	0.87	4.13	1.937	0.748	1.189	1/2	6,518	3,996	5.47	UCX 07-20	PX 07
UCPX 07-22	1 3/8															5.31		
UCPX 07-23	1 7/16															5.25		
UCPX 08-24	1 1/2	2.31	8.74	6.14	2.64	1.26	0.79	1.02	4.45	1.937	0.748	1.189	5/8	7,372	4,630	6.64	UCX 08-24	PX 08
UCPX 09-26	1 5/8	2.31	8.74	6.14	2.64	1.30	0.79	1.02	4.57	2.031	0.748	1.283	5/8	7,857	5,186	7.56	UCX 09-26	PX 09
UCPX 09-27	1 11/16															7.47		
UCPX 09-28	1 3/4															7.39		
UCPX 10-31	1 15/16	2.50	9.49	6.73	2.87	1.42	0.79	1.06	4.96	2.189	0.874	1.315	5/8	9,663	6,568	9.17	UCX 10-31	PX 10
UCPX 11-32	2	2.75	10.24	7.24	3.11	1.42	0.98	1.18	5.47	2.563	1.000	1.563	3/4	11,715	8,084	13.10	UCX 11-32	PX 11
UCPX 11-34	2 1/8															12.81		
UCPX 11-35	2 3/16															12.65		
UCPX 12-36	2 1/4	3.00	11.26	7.99	3.27	1.61	0.98	1.26	5.94	2.563	1.000	1.563	3/4	12,795	8,958	15.10	UCX 12-36	PX 12
UCPX 12-38	2 3/8															14.77		
UCPX 12-39	2 7/16															14.62		
UCPX 13-40	2 1/2	3.00	11.26	7.99	3.27	1.61	0.98	1.26	6.06	2.937	1.189	1.748	3/4	13,896	9,839	16.14	UCX 13-40	PX 13
UCPX 14-43	2 11/16	3.50	12.99	9.02	3.50	2.01	1.06	1.38	6.77	3.063	1.311	1.752	7/8	14,975	10,757	21.21	UCX 14-43	PX 14
UCPX 14-44	2 3/4															20.99		
UCPX 15-47	2 15/16	3.50	12.99	9.02	3.50	2.01	1.06	1.38	6.97	3.252	1.311	1.941	7/8	16,008	11,687	22.07	UCX 15-47	PX 15
UCPX 15-48	3															21.85		
UCPX 17-52	3 1/4	4.00	15.00	11.14	4.02	2.32	1.06	1.65	7.95	3.780	1.563	2.217	7/8	21,168	15,744	34.63	UCX 17-52	PX 17
UCPX 17-55	3 7/16															34.28		

UCTB 200

Normal-Duty Tapped Base
Pillow Block
Setscrew Lock
Inch Series

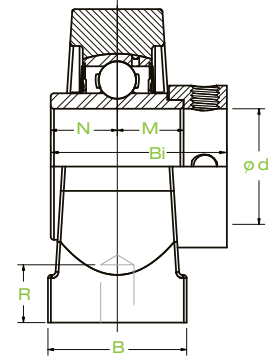
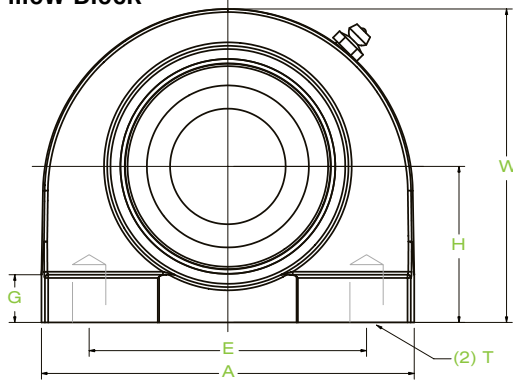


Bearing Number	Dimensions (in.)												Bolt Size	Load Rating (lbs.)		Unit Wt. (lbs.)	Insert Number	Housing Number
	d	H	A	E	B	T	R	G	W	Bi	M	N		Dynamic	Static			
UCTB 201-8	1/2															1.37	UC 201-8	
UCTB 202-10	5/8	1.31	2.87	2.00	1.50	3/8	0.51	0.43	2.56	1.220	0.720	0.500	3/8-16	2,866	1,492	1.34	UC 202-10	TB 204
UCTB 204-12	3/4															1.28	UC 204-12	
UCTB 205-14	7/8															1.59	UC 205-14	
UCTB 205-15	15/16	1.44	2.99	2.00	1.50	3/8	0.51	0.47	2.80	1.343	0.780	0.563	3/8-16	3,130	1,755	1.54	UC 205-15	TB 205
UCTB 205-16	1															1.52	UC 205-16	
UCTB 206-18	1 1/8															1.85	UC 206-18	
UCTB 206-19	1 3/16	1.69	4.02	3.00	1.50	7/16	0.63	0.47	3.39	1.500	0.874	0.626	7/16-14	4,355	2,522	2.84	UC 206-19	TB 206
UCTB 206-20	1 1/4															2.82	UC 206-20	
UCTB 207-20	1 1/4															4.08	UC 207-20	
UCTB 207-22	1 3/8	1.87	4.25	3.25	1.89	1/2	0.79	0.51	3.74	1.689	1.000	0.689	1/2-13	5,754	3,439	3.99	UC 207-22	TB 207
UCTB 207-23	1 7/16															3.95	UC 207-23	
UCTB 208-24	1 1/2	1.94	4.61	3.50	1.89	1/2	0.79	0.51	3.94	1.937	1.189	0.748	1/2-13	6,518	3,996	5.07	UC 208-24	TB 208
UCTB 209-26	1 5/8															5.69	UC 209-26	
UCTB 209-27	1 11/16	2.13	5.00	3.75	2.01	1/2	0.79	0.55	4.25	1.937	1.189	0.748	1/2-13	7,372	4,630	5.60	UC 209-27	TB 209
UCTB 209-28	1 3/4															5.51	UC 209-28	
UCTB 210-30	1 7/8															6.94	UC 210-30	
UCTB 210-31	1 15/16	2.26	5.51	4.00	2.01	5/8	0.91	0.55	4.65	2.031	1.283	0.748	5/8-11	7,857	5,186	6.83	UC 210-31	TB 210
UCTB 210-32	2															6.70	UC 210-32	



HCTB 200

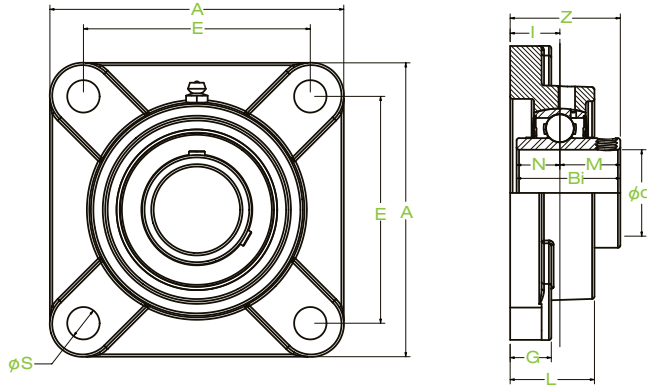
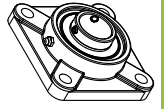
Normal-Duty Tapped Base Pillow Block
Eccentric Lock
Inch Series



Bearing Number	Dimensions (in.)												Bolt Size	Load Rating (lbs.)		Unit Wt. (lbs.)	Insert Number	Housing Number	
	d	H	A	E	B	T	R	G	W	Bi	M	N		Dynamic	Static				
HCTB 201-8	1/2																1.52	HC 201-8	TB 204
HCTB 202-10	5/8	1.31	2.87	2.00	1.50	3/8	0.51	0.43	2.56	1.720	0.673	0.673	3/8-16	2,866	1,492	1.46	HC 202-10		
HCTB 204-12	3/4															1.50	HC 204-12		
HCTB 205-14	7/8																1.74	HC 205-14	TB 205
HCTB 205-15	15/16	1.44	2.99	2.00	1.50	3/8	0.51	0.47	2.80	1.748	0.685	0.689	3/8-16	3,130	1,755	1.70	HC 205-15		
HCTB 205-16	1															1.65	HC 205-16		
HCTB 206-18	1 1/8																1.94	HC 206-18	TB 206
HCTB 206-19	1 3/16	1.69	4.02	3.00	1.50	7/16	0.63	0.47	3.39	1.906	0.717	0.720	7/16-14	4,355	2,522	2.91	HC 206-19		
HCTB 206-20	1 1/4															2.84	HC 206-20		
HCTB 207-20	1 1/4																4.37	HC 207-20	TB 207
HCTB 207-22	1 3/8	1.87	4.25	3.25	1.89	1/2	0.79	0.51	3.74	2.012	0.740	0.740	1/2-13	5,754	3,439	4.23	HC 207-22		
HCTB 207-23	1 7/16															4.14	HC 207-23		
HCTB 208-24	1 1/2	1.94	4.61	3.50	1.89	1/2	0.79	0.51	3.94	2.217	0.843	0.843	1/2-13	6,518	3,996	5.20	HC 208-24	TB 208	
HCTB 209-26	1 5/8																6.02	HC 209-26	TB 209
HCTB 209-27	1 11/16	2.13	5.00	3.75	2.01	1/2	0.79	0.55	4.25	2.217	0.843	0.843	1/2-13	7,372	4,630	5.91	HC 209-27		
HCTB 209-28	1 3/4															5.82	HC 209-28		
HCTB 210-30	1 7/8																7.65	HC 210-30	TB 210
HCTB 210-31	1 15/16	2.26	5.51	4.00	2.01	5/8	0.91	0.55	4.65	2.469	0.969	0.969	5/8-11	7,857	5,186	7.52	HC 210-31		
HCTB 210-32	2															7.39	HC 210-32		

UCF 200

Normal-Duty 4 Bolt Flange Block
Setcrew Lock
Inch Series

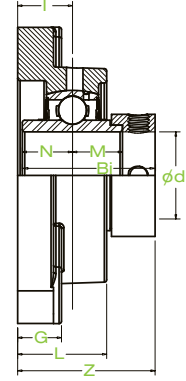
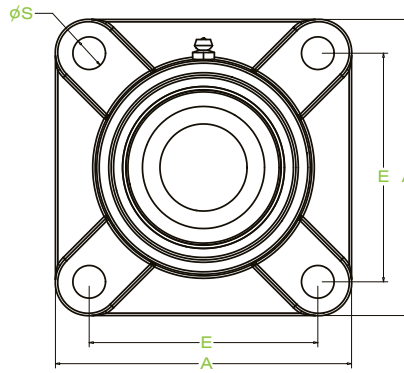


Bearing Number	Dimensions (in.)											Bolt Size	Load Rating (lbs.)		Unit Wt. (lbs.)	Insert Number	Housing Number	
	d	A	E	I	G	L	S	Z	Bi	N	M		Dynamic	Static				
UCF 201-8	1/2															1.76	UC 201-8	F 204
UCF 202-10	5/8	3.39	2.52	0.59	0.47	1.00	0.47	1.31	1.220	0.500	0.720	3/8	2,866	1,492	1.74	UC 202-10		
UCF 204-12	3/4														1.68	UC 204-12		
UCF 205-14	7/8															2.38	UC 205-14	F 205
UCF 205-15	15/16	3.74	2.76	0.63	0.55	1.06	0.47	1.41	1.343	0.563	0.780	3/8	3,130	1,755	2.34	UC 205-15		
UCF 205-16	1														2.31	UC 205-16		
UCF 206-18	1 1/8															2.65	UC 206-18	F 206
UCF 206-19	1 3/16	4.25	3.27	0.71	0.55	1.22	0.47	1.58	1.500	0.626	0.874	3/8	4,355	2,522	3.13	UC 206-19		
UCF 206-20	1 1/4														3.11	UC 206-20		
UCF 207-20	1 1/4															4.67	UC 207-20	F 207
UCF 207-22	1 3/8	4.61	3.62	0.75	0.63	1.34	0.55	1.75	1.689	0.689	1.000	1/2	5,754	3,439	4.59	UC 207-22		
UCF 207-23	1 7/16														4.54	UC 207-23		
UCF 208-24	1 1/2	5.12	4.02	0.83	0.63	1.42	0.63	2.02	1.937	0.748	1.189	1/2	6,518	3,996	5.69	UC 208-24	F 208	
UCF 209-26	1 5/8															7.01	UC 209-26	F 209
UCF 209-27	1 11/16	5.39	4.13	0.87	0.71	1.50	0.63	2.06	1.937	0.748	1.189	1/2	7,372	4,630	6.92	UC 209-27		
UCF 209-28	1 3/4														6.83	UC 209-28		
UCF 210-30	1 7/8															7.61	UC 210-30	F 210
UCF 210-31	1 15/16	5.63	4.37	0.87	0.71	1.57	0.63	2.15	2.031	0.748	1.283	5/8	7,857	5,186	7.50	UC 210-31		
UCF 210-32	2														7.36	UC 210-32		
UCF 211-32	2															10.41	UC 211-32	F 211
UCF 211-34	2 1/8	6.38	5.12	0.98	0.79	1.69	0.75	2.30	2.189	0.874	1.315	5/8	9,663	6,568	10.14	UC 211-34		
UCF 211-35	2 3/16														10.03	UC 211-35		
UCF 212-36	2 1/4															12.90	UC 212-36	F 212
UCF 212-38	2 3/8	6.89	5.63	1.14	0.79	1.89	0.75	2.70	2.563	1.000	1.563	5/8	11,715	8,084	12.54	UC 212-38		
UCF 212-39	2 7/16														12.39	UC 212-39		
UCF 213-40	2 1/2	7.36	5.87	1.18	0.79	1.97	0.75	2.74	2.563	1.000	1.563	3/4	12,795	8,958	15.83	UC 213-40	F 213	
UCF 214-43	2 11/16															16.76	UC 214-43	F 214
UCF 214-44	2 3/4	7.60	5.98	1.22	0.94	2.13	0.75	2.97	2.937	1.189	1.748	3/4	13,896	9,839	16.69	UC 214-44		
UCF 215-47	2 15/16															18.54	UC 215-47	F 215
UCF 215-48	3	7.87	6.26	1.34	0.94	2.20	0.75	3.09	3.063	1.311	1.752	3/4	14,975	10,757	18.32	UC 215-48		



HCFS 200

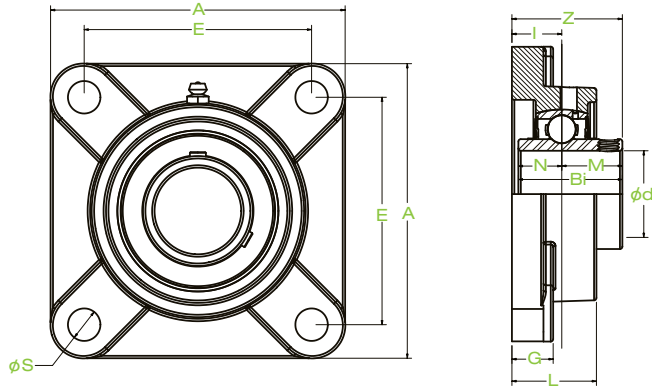
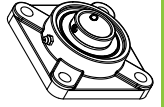
Normal-Duty 4 Bolt Flange Block
Eccentric Lock
Inch Series



Bearing Number	Dimensions (in.)											Bolt Size	Load Rating (lbs.)		Unit Wt. (lbs.)	Insert Number	Housing Number
	d	A	E	I	G	L	S	Z	Bi	M	N		Dynamic	Static			
HCFS 201-8	1/2														1.87	HC 201-8	FS 204
HCFS 202-10	5/8	3.39	2.50	0.75	0.59	1.16	0.45	1.79	1.720	0.673	0.673	3/8	2,866	1,492	1.81	HC 202-10	
HCFS 204-12	3/4														1.85	HC 204-12	
HCFS 205-14	7/8														1.98	HC 205-14	FS 205
HCFS 205-15	15/16	3.66	2.76	0.75	0.59	1.18	0.45	1.81	1.748	0.685	0.689	3/8	3,130	1,755	1.94	HC 205-15	
HCFS 205-16	1														1.90	HC 205-16	
HCFS 206-18	1 1/8														2.18	HC 206-18	FS 206
HCFS 206-19	1 3/16	4.17	3.25	0.79	0.63	1.28	0.51	1.97	1.906	0.717	0.720	7/16	4,355	2,522	2.54	HC 206-19	
HCFS 206-20	1 1/4														2.47	HC 206-20	
HCFS 207-20	1 1/4														3.64	HC 207-20	FS 207
HCFS 207-22	1 3/8	4.57	3.62	0.83	0.67	1.38	0.51	2.10	2.012	0.740	0.740	7/16	5,754	3,439	3.51	HC 207-22	
HCFS 207-23	1 7/16														3.42	HC 207-23	
HCFS 208-24	1 1/2	5.08	4.00	0.94	0.67	1.54	0.55	2.32	2.217	0.843	0.843	1/2	6,518	3,996	3.64	HC 208-24	FS 208
HCFS 209-26	1 5/8														5.45	HC 209-26	FS 209
HCFS 209-27	1 11/16	5.31	4.13	0.94	0.71	1.57	0.63	2.32	2.217	0.843	0.843	5/8	7,372	4,630	5.34	HC 209-27	
HCFS 209-28	1 3/4														5.25	HC 209-28	
HCFS 210-30	1 7/8														6.50	HC 210-30	FS 210
HCFS 210-31	1 15/16	5.63	4.37	1.10	0.79	1.77	0.63	2.60	2.469	0.969	0.969	5/8	7,857	5,186	6.37	HC 210-31	
HCFS 210-32	2														6.24	HC 210-32	
HCFS 211-32	2														9.02	HC 211-32	FS 211
HCFS 211-34	2 1/8	6.38	5.12	1.22	0.83	1.93	0.67	2.94	2.811	1.091	1.094	5/8	9,663	6,568	8.71	HC 211-34	
HCFS 211-35	2 3/16														8.53	HC 211-35	
HCFS 212-36	2 1/4														10.47	HC 212-36	FS 212
HCFS 212-38	2 3/8	6.89	5.63	1.34	0.87	2.11	0.67	3.18	3.063	1.217	1.220	5/8	11,715	8,084	10.08	HC 212-38	
HCFS 212-39	2 7/16														9.88	HC 212-39	
HCFS 213-40	2 1/2	7.24	5.87	1.50	0.87	2.28	0.71	3.53	3.374	1.343	1.343	5/8	12,795	8,958	12.61	HC 213-40	FS 213
HCFS 214-43	2 11/16														14.02	HC 214-43	FS 214
HCFS 214-44	2 3/4	7.40	5.98	1.50	0.91	2.36	0.71	3.53	3.374	1.343	1.343	5/8	13,896	9,839	13.76	HC 214-44	
HCFS 215-47	2 15/16														16.25	HC 215-47	FS 215
HCFS 215-48	3	7.87	6.00	1.61	0.94	2.44	0.79	3.77	3.626	1.469	1.469	3/4	14,975	10,757	15.96	HC 215-48	

UCFX 00

Medium-Duty 4 Bolt Flange Block
Setscrew Lock
Inch Series

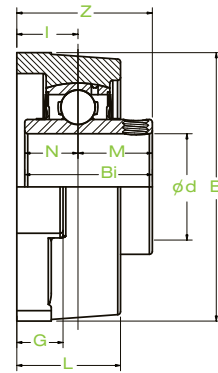
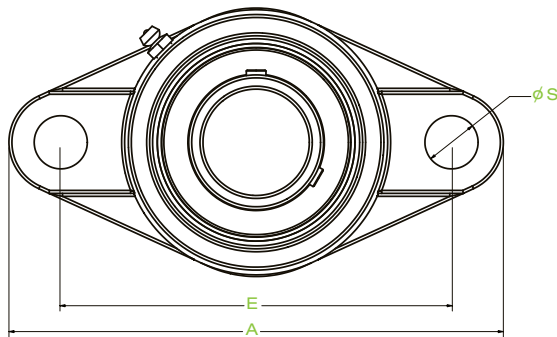


Bearing Number	Dimensions (in.)											Bolt Size	Load Rating (lbs.)		Unit Wt. (lbs.)	Insert Number	Housing Number
	d	A	E	I	G	L	S	Z	Bi	N	M		Dynamic	Static			
UCFX 05-16	1	4.25	3.27	0.71	0.51	1.18	0.47	1.58	1.500	0.626	0.874	3/8	4,355	2,522	3.00	UCX 05-16	FX 05
UCFX 06-18	1 1/8	4.61	3.62	0.75	0.56	1.34	0.63	1.75	1.689	0.689	1.000	1/2	5,754	3,439	4.48	UCX 06-18	FX 06
UCFX 06-19	1 3/16														4.41		
UCFX 06-20	1 1/4														4.37		
UCFX 07-20	1 1/4	5.12	4.02	0.83	0.56	1.50	0.63	2.02	1.937	0.748	1.189	1/2	6,518	3,996	5.97	UCX 07-20	FX 07
UCFX 07-22	1 3/8														5.82		
UCFX 07-23	1 7/16														5.75		
UCFX 08-24	1 1/2	5.39	4.13	0.87	0.56	1.57	0.75	2.06	1.937	0.748	1.189	5/8	7,372	4,630	6.88	UCX 08-24	FX 08
UCFX 09-26	1 5/8	5.63	4.37	0.91	0.56	1.57	0.75	2.19	2.031	0.748	1.283	5/8	7,857	5,186	7.83	UCX 09-26	FX 09
UCFX 09-27	1 11/16														7.74		
UCFX 09-28	1 3/4														7.65		
UCFX 10-31	1 15/16	6.38	5.12	1.02	0.79	1.73	0.75	2.34	2.189	0.874	1.315	5/8	9,663	6,568	10.41	UCX 10-31	FX 10
UCFX 11-32	2	6.89	5.63	1.14	0.79	1.93	0.75	2.70	2.563	1.000	1.563	5/8	11,715	8,084	14.15	UCX 11-32	FX 11
UCFX 11-34	2 1/8														13.87		
UCFX 11-35	2 3/16														13.71		
UCFX 12-36	2 1/4	7.36	5.87	1.34	0.83	2.32	0.75	2.90	2.563	1.000	1.563	5/8	12,795	8,958	16.14	UCX 12-36	FX 12
UCFX 12-38	2 3/8														15.81		
UCFX 12-39	2 7/16														15.65		
UCFX 13-40	2 1/2	7.36	5.87	1.34	0.83	2.32	0.75	3.09	2.937	1.189	1.748	5/8	13,896	9,839	17.31	UCX 13-40	FX 13
UCFX 14-43	2 11/16	7.76	5.98	1.46	0.94	2.36	0.91	3.21	3.063	1.311	1.752	3/4	14,975	10,757	20.44	UCX 14-43	FX 14
UCFX 14-44	2 3/4														20.22		
UCFX 15-47	2 15/16	7.76	5.98	1.57	0.94	2.68	0.91	3.52	3.252	1.311	1.941	3/4	16,008	11,687	24.65	UCX 15-47	FX 15
UCFX 15-48	3														24.43		
UCFX 17-52	3 1/4	8.43	6.73	1.57	0.94	2.76	0.91	3.79	3.780	1.563	2.217	3/4	21,168	15,744	33.73	UCX 17-52	FX 17
UCFX 17-55	3 7/16														33.38		



UCFL 200

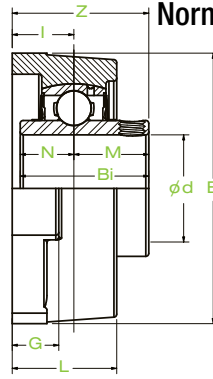
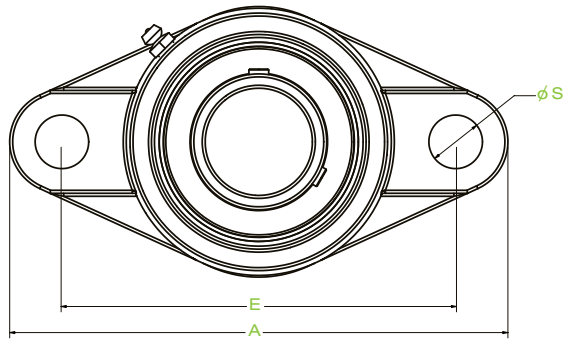
Normal-Duty 2 Bolt Flange Block
Setscrew Lock
Inch Series



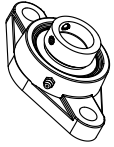
Bearing Number	Dimensions (in.)												Bolt Size	Load Rating (lbs.)		Unit Wt. (lbs.)	Insert Number	Housing Number
	d	A	E	I	G	L	S	B	Z	Bi	N	M		Dynamic	Static			
UCFL 201-8	1/2															1.06	UC 201-8	FL 204
UCFL 202-10	5/8	4.45	3.54	0.59	0.47	1.00	0.47	2.36	1.31	1.220	0.500	0.720	3/8	2,866	1,492	1.04	UC 202-10	
UCFL 204-12	3/4															0.97	UC 204-12	
UCFL 205-14	7/8															1.37	UC 205-14	FL 205
UCFL 205-15	15/16	5.12	3.90	0.63	0.55	1.06	0.63	2.68	1.41	1.343	0.563	0.780	1/2	3,130	1,755	1.32	UC 205-15	
UCFL 205-16	1															1.30	UC 205-16	
UCFL 206-18	1 1/8															1.63	UC 206-18	FL 206
UCFL 206-19	1 3/16	5.83	4.61	0.71	0.55	1.22	0.63	3.15	1.58	1.500	0.626	0.874	1/2	4,355	2,522	1.90	UC 206-19	
UCFL 206-20	1 1/4															1.87	UC 206-20	
UCFL 207-20	1 1/4															2.58	UC 207-20	FL 207
UCFL 207-22	1 3/8	6.34	5.12	0.75	0.63	1.34	0.63	3.54	1.75	1.689	0.689	1.000	1/2	5,754	3,439	2.49	UC 207-22	
UCFL 207-23	1 7/16															2.45	UC 207-23	
UCFL 208-24	1 1/2	6.89	5.67	0.83	0.63	1.42	0.63	3.94	2.02	1.937	0.748	1.189	1/2	6,518	3,996	3.26	UC 208-24	FL 208
UCFL 209-26	1 5/8															4.25	UC 209-26	FL 209
UCFL 209-27	1 11/16	7.40	5.83	0.87	0.71	1.50	0.75	4.25	2.06	1.937	0.748	1.189	5/8	7,372	4,630	4.17	UC 209-27	
UCFL 209-28	1 3/4															4.08	UC 209-28	
UCFL 210-30	1 7/8															4.63	UC 210-30	FL 210
UCFL 210-31	1 15/16	7.76	6.18	0.87	0.71	1.57	0.75	4.53	2.15	2.031	0.748	1.283	5/8	7,857	5,186	4.52	UC 210-31	
UCFL 210-32	2															4.39	UC 210-32	
UCFL 211-32	2															6.77	UC 211-32	FL 211
UCFL 211-34	2 1/8	8.82	7.24	0.98	0.79	1.69	0.75	5.12	2.30	2.189	0.874	1.315	5/8	9,663	6,568	6.50	UC 211-34	
UCFL 211-35	2 3/16															6.39	UC 211-35	
UCFL 212-36	2 1/4															8.27	UC 212-36	FL 212
UCFL 212-38	2 3/8	9.84	7.95	1.14	0.79	1.89	0.91	5.51	2.70	2.563	1.000	1.563	3/4	11,715	8,084	7.91	UC 212-38	
UCFL 212-39	2 7/16															7.76	UC 212-39	
UCFL 213-40	2 1/2	10.16	8.27	1.18	0.94	1.97	0.91	6.10	2.35	2.563	1.000	1.563	3/4	12,795	8,958	10.32	UC 213-40	FL 213
UCFL 214-43	2 11/16															11.68	UC 214-43	FL 214
UCFL 214-44	2 3/4	10.43	8.50	1.22	0.94	2.13	0.91	6.30	2.97	2.937	1.189	1.748	3/4	13,896	9,839	11.62	UC 214-44	
UCFL 215-47	2 15/16															11.05	UC 215-47	FL 215
UCFL 215-48	3	10.83	8.86	1.34	0.94	2.20	0.91	6.50	3.09	3.063	1.311	1.752	3/4	14,975	10,757	10.82	UC 215-48	

UCFT 200

Normal-Duty 2 Bolt Flange Block
Setscrew Lock
Inch Series

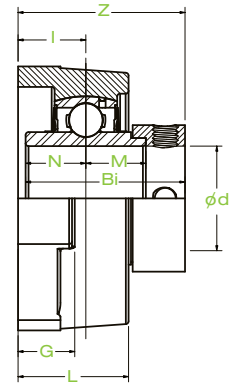
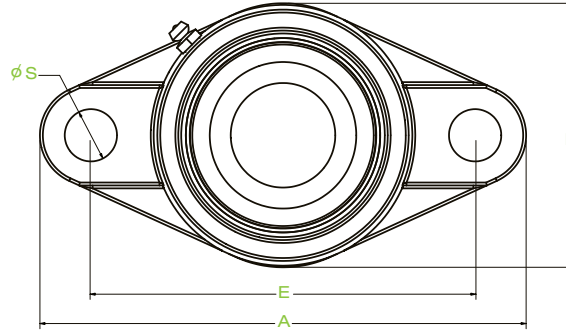


Bearing Number	Dimensions (in.)												Bolt Size	Load Rating (lbs.)		Unit Wt. (lbs.)	Insert Number	Housing Number	
	d	A	E	I	G	L	S	B	Z	Bi	N	M		Dynamic	Static				
UCFT 201-8	1/2																1.06	UC 201-8	FT 204
UCFT 202-10	5/8	4.41	3.53	0.56	0.43	0.98	0.41	2.36	1.28	1.220	0.500	0.720	3/8	2,866	1,492	1.04	UC 202-10		
UCFT 204-12	3/4															0.97	UC 204-12		
UCFT 205-14	7/8																1.52	UC 205-14	FT 205
UCFT 205-15	15/16	4.88	3.89	0.63	0.51	1.06	0.49	2.76	1.40	1.343	0.563	0.780	1/2	3,130	1,755	1.48	UC 205-15		
UCFT 205-16	1															1.46	UC 205-16		
UCFT 206-18	1 1/8																1.79	UC 206-18	FT 206
UCFT 206-19	1 3/16	5.55	4.59	0.70	0.51	1.18	0.49	3.27	1.58	1.500	0.626	0.874	1/2	4,355	2,522	1.92	UC 206-19		
UCFT 206-20	1 1/4															1.90	UC 206-20		
UCFT 207-20	1 1/4																3.02	UC 207-20	FT 207
UCFT 207-22	1 3/8	6.14	5.13	0.75	0.55	1.34	0.55	3.74	1.75	1.689	0.689	1.000	1/2	5,754	3,439	2.93	UC 207-22		
UCFT 207-23	1 7/16															2.89	UC 207-23		
UCFT 208-24	1 1/2	6.73	5.66	0.83	0.55	1.50	0.55	4.13	2.02	1.937	0.748	1.189	1/2	6,518	3,996	3.48	UC 208-24	FT 208	
UCFT 209-26	1 5/8																4.03	UC 209-26	FT 209
UCFT 209-27	1 11/16	7.05	5.84	0.86	0.55	1.57	0.63	4.37	2.05	1.937	0.748	1.189	5/8	7,372	4,630	3.95	UC 209-27		
UCFT 209-28	1 3/4															3.86	UC 209-28		
UCFT 210-30	1 7/8																5.18	UC 210-30	FT 210
UCFT 210-31	1 15/16	7.44	6.19	0.87	0.55	1.57	0.63	4.57	2.16	2.031	0.748	1.283	5/8	7,857	5,186	5.07	UC 210-31		
UCFT 210-32	2															4.94	UC 210-32		
UCFT 211-32	2																6.33	UC 211-32	FT 211
UCFT 211-34	2 1/8	8.50	7.25	1.00	0.83	1.73	0.71	5.24	2.30	2.189	0.874	1.315	5/8	9,663	6,568	6.06	UC 211-34		
UCFT 211-35	2 3/16															5.95	UC 211-35		



HCFJT 200

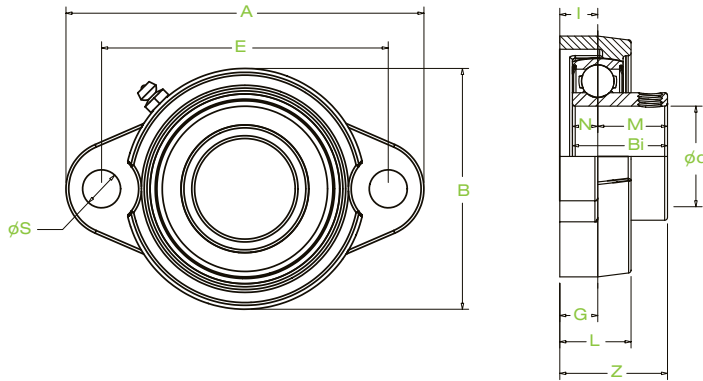
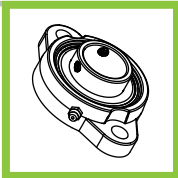
Normal Duty 2 Bolt Flange Block
Eccentric Lock (Small Hole)
Inch Series



Bearing Number	Dimensions (in.)												Bolt Size	Load Rating (lbs.)		Unit Wt. (lbs.)	Insert Number	Housing Number
	d	A	E	I	G	L	S	B	Z	Bi	M	N		Dynamic	Static			
HCFJT 201-8	1/2															1.43	HC 201-8	
HCFJT 202-10	5/8	4.41	3.53	0.75	0.43	1.25	0.41	2.36	1.80	1.720	0.673	0.673	3/8	2,866	1,492	1.37	HC 202-10	FJT 204
HCFJT 204-12	3/4															1.41	HC 204-12	
HCFJT 205-14	7/8															1.43	HC 205-14	
HCFJT 205-15	15/16	4.88	3.89	0.75	0.51	1.31	0.49	2.76	1.81	1.748	0.685	0.689	7/16	3,130	1,755	1.39	HC 205-15	FJT 205
HCFJT 205-16	1															1.34	HC 205-16	
HCFJT 206-18	1 1/8															1.63	HC 206-18	
HCFJT 206-19	1 3/16	5.55	4.59	0.81	0.51	1.38	0.49	3.27	1.98	1.906	0.717	0.720	7/16	4,355	2,522	2.27	HC 206-19	FJT 206
HCFJT 206-20	1 1/4															2.20	HC 206-20	
HCFJT 207-20	1 1/4															3.40	HC 207-20	
HCFJT 207-22	1 3/8	6.14	5.13	0.84	0.59	1.47	0.55	3.74	2.13	2.012	0.740	0.740	1/2	5,754	3,439	3.26	HC 207-22	FJT 207
HCFJT 207-23	1 7/16															3.17	HC 207-23	
HCFJT 208-24	1 1/2	6.73	5.66	0.94	0.59	1.69	0.55	4.13	2.31	2.217	0.843	0.843	1/2	6,518	3,996	4.65	HC 208-24	FJT 208
HCFJT 209-26	1 5/8															5.84	HC 209-26	
HCFJT 209-27	1 11/16	7.05	5.84	0.94	0.59	1.75	0.63	4.37	2.31	2.217	0.843	0.843	5/8	7,372	4,630	5.73	HC 209-27	FJT 209
HCFJT 209-28	1 3/4															5.64	HC 209-28	
HCFJT 210-30	1 7/8															6.15	HC 210-30	
HCFJT 210-31	1 15/16	7.44	6.19	1.13	0.59	1.88	0.63	4.57	2.63	2.469	0.969	0.969	5/8	7,857	5,186	6.02	HC 210-31	FJT 210
HCFJT 210-32	2															5.89	HC 210-32	
HCFJT 211-32	2															8.47	HC 211-32	
HCFJT 211-34	2 1/8	8.50	7.25	1.25	0.83	2.00	0.71	5.24	2.97	2.811	1.091	1.094	5/8	9,663	6,568	8.16	HC 211-34	FJT 211
HCFJT 211-35	2 3/16															7.98	HC 211-35	

SBLF 200

Light-Duty 2 Bolt Flange Block
Setscrew Lock
Inch Series

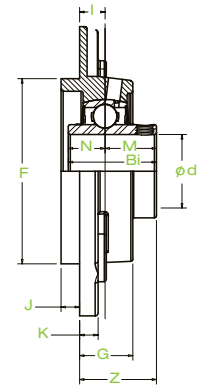
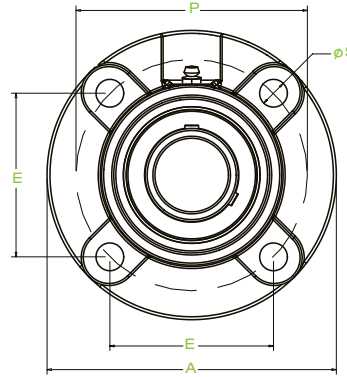


Bearing Number	Dimensions (in.)												Bolt Size	Load Rating (lbs.)		Unit Wt. (lbs.)	Insert Number	Housing Number	
	d	A	E	I	G	L	S	B	Z	Bi	N	M		Dynamic	Static				
SBLF 201-8	1/2																0.64	SB 201-8	
SBLF 202-10	5/8	3.54	2.81	0.43	0.43	0.79	0.39	2.40	1.14	0.984	0.276	0.709	5/16	2,866	1,492	0.62	SB 202-10	LF 204	
SBLF 204-12	3/4															0.71	SB 204-12		
SBLF 205-14	7/8															1.06	SB 205-14		
SBLF 205-15	15/16	3.74	2.99	0.43	0.43	0.79	0.39	2.52	1.20	1.063	0.295	0.768	5/16	3,130	1,755	1.04	SB 205-15	LF 205	
SBLF 205-16	1															1.01	SB 205-16		
SBLF 206-18	1 1/8															1.37	SB 206-18		
SBLF 206-19	1 3/16	4.45	3.56	0.47	0.47	0.89	0.47	2.99	1.34	1.181	0.315	0.866	3/8	4,355	2,522	1.34	SB 206-19	LF 206	
SBLF 206-20	1 1/4															1.30	SB 206-20		
SBLF 207-20	1 1/4															2.01	SB 207-20		
SBLF 207-22	1 3/8	4.80	3.94	0.51	0.51	0.94	0.47	3.50	1.44	1.260	0.335	0.925	3/8	5,754	3,439	1.92	SB 207-22	LF 207	
SBLF 207-23	1 7/16															1.87	SB 207-23		



UCFC 200

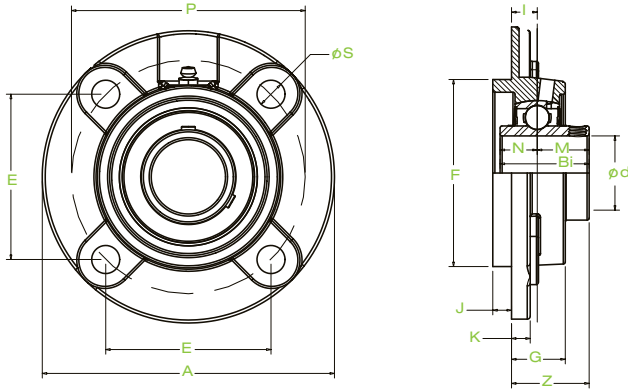
Normal Duty Flange Cartridge
Setscrew Lock
Inch Series



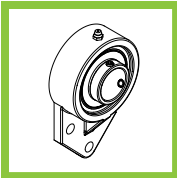
Bearing Number	Dimensions (in.)														Bolt Size	Load Rating (lbs.)		Unit Wt. (lbs.)	Insert Number	Housing Number
	d	A	P	E	I	S	J	K	G	F	Z	Bi	N	M		Dy-namic	Static			
UCFC 206-18	1 1/8																	2.51	UC 206-18	
UCFC 206-19	1 3/16	4.37	3.62	2.56	0.39	0.37	0.24	0.37	0.94	3.000	1.27	1.500	0.626	0.874	3/8	4,355	2,522	2.91	UC 206-19	FC 206
UCFC 206-20	1 1/4																	2.89	UC 206-20	
UCFC 207-20	1 1/4																	3.79	UC 207-20	
UCFC 207-22	1 3/8	5.00	4.13	2.92	0.31	0.47	0.37	0.37	0.89	3.375	1.31	1.689	0.689	1.000	7/16	5,754	3,439	3.70	UC 207-22	FC 207
UCFC 207-23	1 7/16																	3.66	UC 207-23	
UCFC 208-24	1 1/2	5.24	4.37	3.09	0.35	0.47	0.43	0.43	1.02	3.625	1.54	1.937	0.748	1.189	7/16	6,518	3,996	4.70	UC 208-24	FC 208
UCFC 209-26	1 5/8																	6.35	UC 209-26	
UCFC 209-27	1 11/16	6.12	5.12	3.62	0.31	0.50	0.43	0.43	0.98	4.250	1.60	1.937	0.748	1.189	1/2	7,372	4,630	6.26	UC 209-27	FC 209
UCFC 209-28	1 3/4																	6.17	UC 209-28	
UCFC 210-30	1 7/8																	6.50	UC 210-30	
UCFC 210-31	1 15/16	6.12	5.12	3.62	0.28	0.50	0.47	0.43	0.98	4.250	1.59	2.031	0.748	1.283	1/2	7,857	5,186	6.39	UC 210-31	FC 210
UCFC 210-32	2																	6.26	UC 210-32	
UCFC 211-32	2																	9.52	UC 211-32	
UCFC 211-34	2 1/8	6.38	5.37	3.80	0.16	0.50	0.63	0.43	1.02	4.500	1.72	2.189	0.874	1.315	5/8	9,663	6,568	9.26	UC 211-34	FC 211
UCFC 211-35	2 3/16																	9.15	UC 211-35	
UCFC 212-36	2 1/4																	10.69	UC 212-36	
UCFC 212-38	2 3/8	7.12	6.00	4.25	0.43	0.55	0.79	0.51	1.30	5.000	2.00	2.563	1.000	1.563	5/8	11,715	8,084	10.34	UC 212-38	FC 212
UCFC 212-39	2 7/16																	10.19	UC 212-39	
UCFC 213-40	2 1/2	7.63	6.50	4.61	0.43	0.55	0.79	0.55	1.30	5.500	2.18	2.563	1.000	1.563	5/8	12,795	8,958	12.41	UC 213-40	FC 213
UCFC 214-43	2 11/16																	15.10	UC 214-43	
UCFC 214-44	2 3/4	8.75	7.50	5.28	0.55	0.69	0.79	0.55	1.42	6.375	2.30	2.937	1.189	1.748	5/8	13,896	9,839	15.04	UC 214-44	FC 214
UCFC 215-47	2 15/16																	15.90	UC 215-47	
UCFC 215-48	3	8.75	7.50	5.28	0.47	0.69	0.87	0.63	1.38	6.375	2.41	3.063	1.311	1.752	5/8	14,975	10,757	15.67	UC 215-48	FC 215

UCFCX 00

Medium-Duty Flange Cartridge
Setscrew Lock
Inch Series

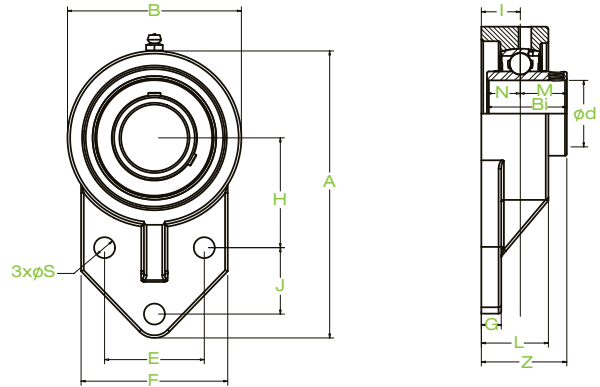


Bearing Number	Dimensions (in.)														Bolt Size	Load Rating (lbs.)		Unit Wt. (lbs.)	Insert Number	Housing Number
	d	A	P	E	I	S	J	K	G	F	Z	Bi	N	M		Dy-namic	Static			
UCFCX 05-16	1	4.37	3.62	2.56	0.39	0.37	0.24	0.37	0.94	3.000	1.27	1.500	0.626	0.874	5/16	4,355	2,522	3.17	UCX 05-16	FCX 05
UCFCX 06-18	1 1/8	5.00	4.13	2.92	0.31	0.47	0.37	0.37	0.89	3.375	1.31	1.689	0.689	1.000	3/8	5,754	3,439	4.34	UCX 06-18	FCX 06
UCFCX 06-19	1 3/16																	4.28	UCX 06-19	
UCFCX 06-20	1 1/4																	4.23	UCX 06-20	
UCFCX 07-20	1 1/4	5.24	4.37	3.09	0.35	0.47	0.43	0.43	1.02	3.625	1.54	1.937	0.748	1.189	3/8	6,518	3,996	5.67	UCX 07-20	FCX 07
UCFCX 07-22	1 3/8																	5.51	UCX 07-22	
UCFCX 07-23	1 7/16																	5.45	UCX 07-23	
UCFCX 09-26	1 5/8	6.10	5.12	3.62	0.31	0.50	0.43	0.43	0.98	4.250	1.60	2.031	0.748	1.283	7/16	7,857	5,186	8.00	UCX 09-26	FCX 09
UCFCX 09-27	1 11/16																	7.91	UCX 09-27	
UCFCX 09-28	1 3/4																	7.83	UCX 09-28	
UCFCX 10-31	1 15/16	6.38	5.35	3.79	0.28	0.50	0.63	0.43	0.98	4.500	1.59	2.189	0.874	1.315	7/16	9,663	6,568	9.50	UCX 10-31	FCX 10
UCFCX 11-32	2	7.12	6.00	4.25	0.16	0.55	0.87	0.51	1.02	5.000	1.72	2.563	1.000	1.563	1/2	11,715	8,084	13.23	UCX 11-32	FCX 11
UCFCX 11-34	2 1/8																	12.94	UCX 11-34	
UCFCX 11-35	2 3/16																	12.79	UCX 11-35	
UCFCX 12-36	2 1/4	7.63	6.50	4.61	0.43	0.55	0.79	0.55	1.30	5.500	2.00	2.563	1.000	1.563	1/2	12,795	8,958	14.77	UCX 12-36	FCX 12
UCFCX 12-38	2 3/8																	14.44	UCX 12-38	
UCFCX 12-39	2 7/16																	14.29	UCX 12-39	
UCFCX 13-40	2 1/2	8.75	7.50	5.28	0.43	0.69	0.79	0.55	1.30	6.375	2.18	2.937	1.189	1.748	1/2	13,896	9,839	16.14	UCX 13-40	FCX 13
UCFCX 14-43	2 11/16	8.75	7.50	5.28	0.55	0.69	0.79	0.63	1.42	6.375	2.30	3.063	1.311	1.752	5/8	14,975	10,757	21.83	UCX 14-43	FCX 14
UCFCX 14-44	2 3/4																	21.61	UCX 14-44	
UCFCX 15-47	2 15/16	8.74	7.50	5.28	0.47	0.75	0.87	0.63	1.38	6.375	2.41	3.252	1.311	1.941	5/8	16,008	11,687	23.94	UCX 15-47	FCX 15
UCFCX 15-48	3																	23.72	UCX 15-48	
UCFCX 17-52	3 1/4	10.24	8.62	6.10	0.39	0.91	0.98	0.75	1.42	7.375	2.61	3.780	1.563	2.217	3/4	21,168	15,744	36.09	UCX 17-52	FCX 17
UCFCX 17-55	3 7/16																	35.74	UCX 17-55	



UCFB 200

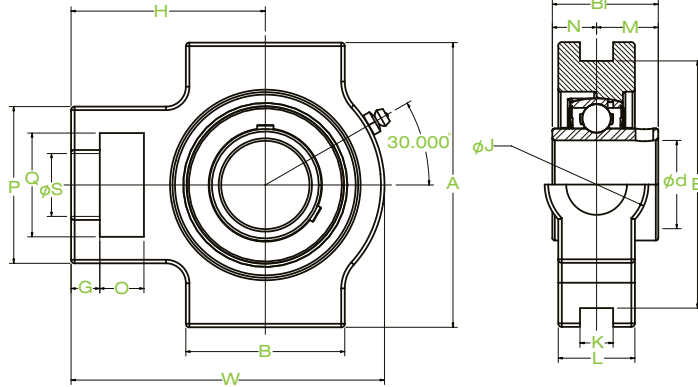
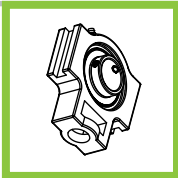
Normal-Duty 3 Bolt Flange Block
Setscrew Lock
Inch Series



Bearing Number	Dimensions (in.)															Bolt Size	Load Rating (lbs.)		Unit Wt. (lbs.)	Insert Number	Housing Number
	d	A	H	E	J	I	G	L	S	B	F	Z	Bi	N	M		Dy-namic	Static			
UCFB 201-8	1/2																		1.28	UC 201-8	
UCFB 202-10	5/8	4.25	1.69	1.50	0.87	0.63	0.31	1.00	0.39	2.50	2.37	1.34	1.220	0.500	0.720	5/16	2,866	1,492	1.26	UC 202-10	FB 204
UCFB 204-12	3/4																	1.19	UC 204-12		
UCFB 205-14	7/8																	1.57	UC 205-14		
UCFB 205-15	15/16	4.76	1.81	1.63	1.12	0.66	0.37	1.12	0.39	2.76	2.50	1.44	1.343	0.563	0.780	5/16	3,130	1,755	1.52	UC 205-15	FB 205
UCFB 205-16	1																	1.50	UC 205-16		
UCFB 206-18	1 1/8																	1.83	UC 206-18		
UCFB 206-19	1 3/16	5.39	2.06	1.87	1.25	0.73	0.37	1.26	0.39	3.27	2.76	1.61	1.500	0.626	0.874	5/16	4,355	2,522	2.05	UC 206-19	FB 206
UCFB 206-20	1 1/4																	2.03	UC 206-20		
UCFB 207-20	1 1/4																	2.80	UC 207-20		
UCFB 207-22	1 3/8	6.14	2.37	2.00	1.25	0.83	0.50	1.44	0.51	3.74	3.27	1.83	1.689	0.689	1.000	7/16	5,754	3,439	2.71	UC 207-22	FB 207
UCFB 207-23	1 7/16																	2.67	UC 207-23		
UCFB 210-30	1 7/8																	5.84	UC 210-30		
UCFB 210-31	1 15/16	7.48	2.94	2.76	1.63	0.86	0.50	1.50	0.51	4.65	4.02	2.11	2.031	0.748	1.283	7/16	7,857	5,186	5.73	UC 210-31	FB 210
UCFB 210-32	2																	5.60	UC 210-32		

UCST 200

Normal-Duty Ball Bearing
Take-up Unit
Setscrew Lock
Inch Series

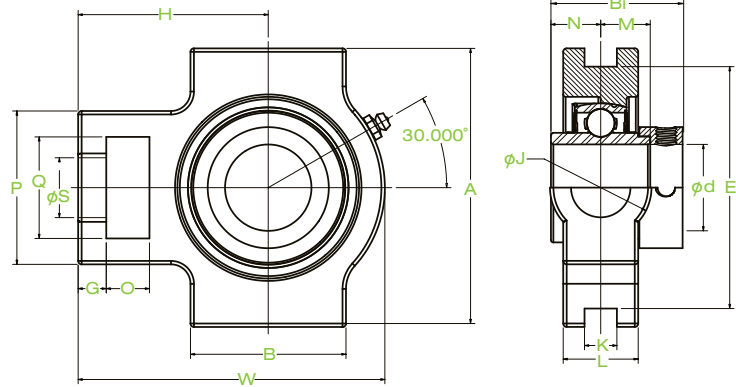


Bearing Number	Dimensions (in.)																	Load Rating (lbs.)		Unit Wt. (lbs.)	Insert Number	Housing Number
	d	O	G	P	Q	S	B	K	E	A	W	J	L	H	Bi	M	N	Dy-namic	Static			
UCST 201-8	1/2																		1.50		UC 201-8	
UCST 202-10	5/8	0.63	0.39	2.01	1.26	0.75	2.01	0.53	3.00	3.50	3.70	1.26	0.94	2.36	1.220	0.720	0.500	2,866	1,492	1.48	UC 202-10	ST 204
UCST 204-12	3/4																		1.41		UC 204-12	
UCST 205-14	7/8																		1.81		UC 205-14	
UCST 205-15	15/16	0.63	0.39	2.01	1.26	0.87	2.01	0.53	3.00	3.50	3.82	1.26	0.94	2.44	1.343	0.780	0.563	3,130	1,755	1.76	UC 205-15	ST 205
UCST 205-16	1																		1.74		UC 205-16	
UCST 206-18	1 1/8																		2.07		UC 206-18	
UCST 206-19	1 3/16	0.63	0.39	2.20	1.46	0.87	2.24	0.53	3.50	4.02	4.45	1.46	0.94	2.76	1.500	0.874	0.626	4,355	2,522	2.47	UC 206-19	ST 206
UCST 206-20	1 1/4																		2.45		UC 206-20	
UCST 207-20	1 1/4																		3.62		UC 207-20	
UCST 207-22	1 3/8	0.63	0.51	2.52	1.46	0.87	2.52	0.53	3.50	4.02	5.08	1.46	1.18	3.07	1.689	1.000	0.689	5,754	3,439	3.53	UC 207-22	ST 207
UCST 207-23	1 7/16																		3.48		UC 207-23	
UCST 208-24	1 1/2	0.75	0.63	3.27	1.93	1.14	3.27	0.69	4.00	4.49	5.67	1.93	1.38	3.50	1.937	1.189	0.748	6,518	3,996	5.69	UC 208-24	ST 208
UCST 209-26	1 5/8																		5.53		UC 209-26	
UCST 209-27	1 11/16	0.75	0.63	3.27	1.93	1.14	3.27	0.69	4.00	4.61	5.67	1.93	1.38	3.43	1.937	1.189	0.748	7,372	4,630	5.45	UC 209-27	ST 209
UCST 209-28	1 3/4																		5.36		UC 209-28	
UCST 210-30	1 7/8																		5.45		UC 210-30	
UCST 210-31	1 15/16	0.75	0.63	3.27	1.93	1.14	3.39	0.69	4.00	4.61	5.87	1.93	1.38	3.54	2.031	1.283	0.748	7,857	5,186	5.34	UC 210-31	ST 210
UCST 210-32	2																		5.20		UC 210-32	
UCST 211-32	2																		9.52		UC 211-32	
UCST 211-34	2 1/8	0.98	0.75	4.02	2.52	1.38	3.74	1.06	5.13	5.75	6.73	2.52	1.61	4.17	2.189	1.315	0.874	9,663	6,568	9.26	UC 211-34	ST 211
UCST 211-35	2 3/16																		9.15		UC 211-35	
UCST 212-36	2 1/4																		11.57		UC 212-36	
UCST 212-38	2 3/8	1.26	0.75	4.02	2.52	1.38	4.02	1.06	5.13	5.75	7.64	2.52	1.81	4.69	2.563	1.563	1.000	11,715	8,084	11.22	UC 212-38	ST 212
UCST 212-39	2 7/16																		11.07		UC 212-39	
UCST 213-40	2 1/2	1.26	0.83	4.37	2.76	1.61	4.76	1.06	5.94	6.57	8.82	2.76	2.01	5.39	2.563	1.563	1.000	12,795	8,958	16.05	UC 213-40	ST 213
UCST 214-43	2 11/16																				UC 214-43	
UCST 214-44	2 3/4	1.26	0.83	4.37	2.76	1.61	4.76	1.06	5.94	6.57	8.82	2.76	1.81	5.39	2.937	1.748	1.189	13,896	9,839	16.98	UC 214-44	ST 214
UCST 215-47	2 15/16																				UC 215-47	
UCST 215-48	3	1.26	0.83	4.37	2.76	1.61	4.76	1.06	5.94	6.57	9.13	2.76	1.89	5.51	3.063	1.752	1.311	14,975	10,757	18.32	UC 215-48	ST 215



HCST 200

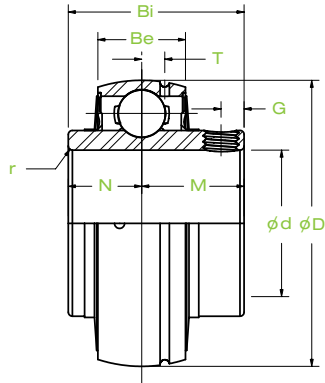
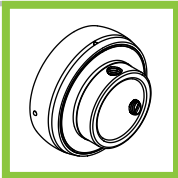
Normal-Duty Bearing Take-up Unit
Eccentric Lock
Inch Series



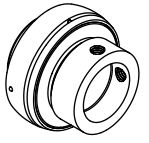
Bearing Number	Dimensions (in.)																Load Rating (lbs.)		Unit Wt. (lbs.)	Insert Number	Housing Number	
	d	O	G	P	Q	S	B	K	E	A	W	J	L	H	Bi	M	N	Dy-namic				Static
HCST 201-8	1/2																			1.65	HC 201-8	
HCST 202-10	5/8	0.63	0.39	2.01	1.26	0.75	2.01	0.53	3.00	3.50	3.70	1.26	0.94	2.36	1.720	0.673	0.673	2,866	1,492	1.59	HC 202-10	ST 204
HCST 204-12	3/4																			1.63	HC 204-12	
HCST 205-14	7/8																			1.96	HC 205-14	
HCST 205-15	15/16	0.63	0.39	2.01	1.26	0.87	2.01	0.53	3.00	3.50	3.82	1.26	0.94	2.44	1.748	0.685	0.689	3,130	1,755	1.92	HC 205-15	ST 205
HCST 205-16	1																			1.87	HC 205-16	
HCST 206-18	1 1/8																			2.16	HC 206-18	
HCST 206-19	1 3/16	0.63	0.39	2.20	1.46	0.87	2.24	0.53	3.50	4.02	4.45	1.46	0.94	2.76	1.906	0.717	0.720	4,355	2,522	2.54	HC 206-19	ST 206
HCST 206-20	1 1/4																			2.47	HC 206-20	
HCST 207-20	1 1/4																			3.90	HC 207-20	
HCST 207-22	1 3/8	0.63	0.51	2.52	1.46	0.87	2.52	0.53	3.50	4.02	5.08	1.46	1.18	3.07	2.012	0.740	0.740	5,754	3,439	3.77	HC 207-22	ST 207
HCST 207-23	1 7/16																			3.68	HC 207-23	
HCST 208-24	1 1/2	0.75	0.63	3.27	1.93	1.14	3.27	0.69	4.00	4.49	5.67	1.93	1.38	3.50	2.217	0.843	0.843	6,518	3,996	5.82	HC 208-24	ST 208
HCST 209-26	1 5/8																			5.86	HC 209-26	
HCST 209-27	1 11/16	0.75	0.63	3.27	1.93	1.14	3.27	0.69	4.00	4.61	5.67	1.93	1.38	3.43	2.217	0.843	0.843	7,372	4,630	5.75	HC 209-27	ST 209
HCST 209-28	1 3/4																			5.67	HC 209-28	
HCST 210-30	1 7/8																			6.15	HC 210-30	
HCST 210-31	1 15/16	0.75	0.63	3.27	1.93	1.14	3.39	0.69	4.00	4.61	5.87	1.93	1.38	3.54	2.469	0.969	0.969	7,857	5,186	6.02	HC 210-31	ST 210
HCST 210-32	2																			5.89	HC 210-32	
HCST 211-32	2																			10.34	HC 211-32	
HCST 211-34	2 1/8	0.98	0.75	4.02	2.52	1.38	3.74	1.06	5.13	5.75	6.73	2.52	1.61	4.17	2.811	1.091	1.094	9,663	6,568	10.03	HC 211-34	ST 211
HCST 211-35	2 3/16																			9.85	HC 211-35	
HCST 212-36	2 1/4																			12.24	HC 212-36	
HCST 212-38	2 3/8	1.26	0.75	4.02	2.52	1.38	4.02	1.06	5.13	5.75	7.64	2.52	1.81	4.69	3.063	1.217	1.220	11,715	8,084	11.84	HC 212-38	ST 212
HCST 212-39	2 7/16																			11.64	HC 212-39	
HCST 213-40	2 1/2	1.26	0.83	4.37	2.76	1.61	4.76	1.06	5.94	6.57	8.82	2.76	2.01	5.39	3.374	1.343	1.343	12,795	8,958	16.62	HC 213-40	ST 213
HCST 214-43	2 11/16																			17.35	HC 214-43	
HCST 214-44	2 3/4	1.26	0.83	4.37	2.76	1.61	4.76	1.06	5.94	6.57	8.82	2.76	1.81	5.39	3.374	1.343	1.343	13,896	9,839	17.09	HC 214-44	ST 214
HCST 215-47	2 15/16																			19.09	HC 215-47	
HCST 215-48	3	1.26	0.83	4.37	2.76	1.61	4.76	1.06	5.94	6.57	9.13	2.76	1.89	5.51	3.626	1.469	1.469	14,975	10,757	18.81	HC 215-48	ST 215

UC 200

Normal-Duty Ball Bearing
Setscrew Lock
Inch Series

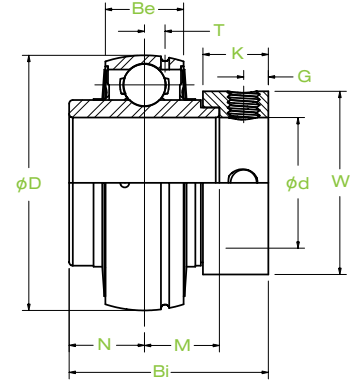


Insert Number	Dimensions (in.)										Load Rating (lbs.)		Weight (lbs.)
	d	D	Bi	Be	r	N	M	G	T	Setscrew Size	Dynamic	Static	
UC 201-8	1/2												0.44
UC 202-10	5/8	1.850	1.220	0.669	0.039	0.500	0.720	0.177	0.146	1/4-28	2,866	1,492	0.42
UC 204-12	3/4												0.35
UC 205-14	7/8												0.49
UC 205-15	15/16	2.047	1.343	0.669	0.059	0.563	0.780	0.197	0.154	1/4-28	3,130	1,755	0.44
UC 205-16	1												0.42
UC 206-18	1 1/8												0.75
UC 206-19	1 3/16	2.441	1.500	0.748	0.059	0.626	0.874	0.197	0.197	1/4-28	4,355	2,522	0.71
UC 206-20	1 1/4												0.68
UC 207-20	1 1/4												1.15
UC 207-22	1 3/8	2.835	1.689	0.787	0.079	0.689	1.000	0.236	0.224	5/16-24	5,754	3,439	1.06
UC 207-23	1 7/16												1.01
UC 208-24	1 1/2	3.150	1.937	0.827	0.079	0.748	1.189	0.315	0.244	5/16-24	6,518	3,996	1.50
UC 209-26	1 5/8												1.72
UC 209-27	1 11/16	3.346	1.937	0.866	0.079	0.748	1.189	0.315	0.252	5/16-24	7,372	4,630	1.63
UC 209-28	1 3/4												1.54
UC 210-30	1 7/8												1.87
UC 210-31	1 15/16	3.543	2.031	0.945	0.079	0.748	1.283	0.394	0.256	3/8-24	7,857	5,186	1.76
UC 210-32	2												1.63
UC 211-32	2												2.69
UC 211-34	2 1/8	3.937	2.189	0.984	0.098	0.874	1.315	0.394	0.276	3/8-24	9,663	6,568	2.43
UC 211-35	2 3/16												2.32
UC 212-36	2 1/4												3.64
UC 212-38	2 3/8	4.331	2.563	1.063	0.098	1.000	1.563	0.394	0.299	3/8-24	11,715	8,084	3.29
UC 212-39	2 7/16												3.13
UC 213-40	2 1/2	4.724	2.563	1.102	0.098	1.000	1.563	0.394	0.350	3/8-24	12,795	8,958	4.15
UC 214-43	2 11/16												4.63
UC 214-44	2 3/4	4.921	2.937	1.181	0.098	1.189	1.748	0.472	0.350	7/16-20	13,896	9,839	4.56
UC 215-47	2 15/16												4.87
UC 215-48	3	5.118	3.063	1.260	0.098	1.311	1.752	0.472	0.350	7/16-20	14,975	10,757	4.65



HC 200

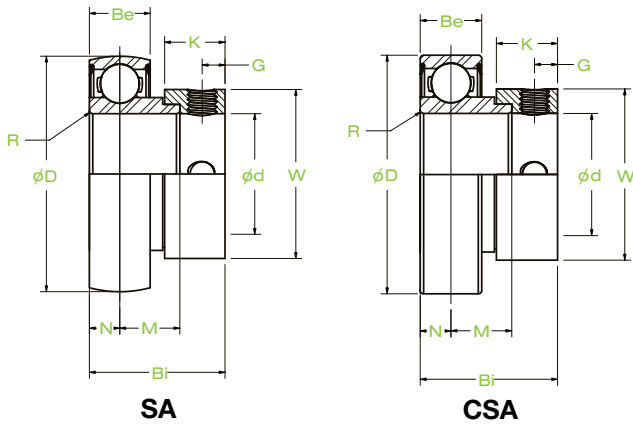
Normal-Duty Ball Bearing
Eccentric Lock
Inch Series



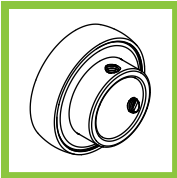
Insert Number	Dimensions (in.)												Load Rating (lbs.)		Weight (lbs.)	
	d	D	L	Bi	Be	N	M	T	W	K	G	Set-screw Size	Dynamic	Static		
HC 201-8	1/2															0.60
HC 202-10	5/8	1.850	1.720	1.720	0.669	0.673	0.673	0.146	1.311	0.531	0.197	1/4-28	2,866	1,492	0.53	
HC 204-12	3/4														0.57	
HC 205-14	7/8														0.64	
HC 205-15	15/16	2.047	1.748	1.748	0.669	0.689	0.685	0.154	1.500	0.531	0.197	1/4-28	3,130	1,755	0.60	
HC 205-16	1														0.55	
HC 206-18	1 1/8														0.84	
HC 206-19	1 3/16	2.441	1.906	1.906	0.748	0.720	0.717	0.197	1.752	0.626	0.236	5/16-24	4,355	2,522	0.77	
HC 206-20	1 1/4														0.71	
HC 207-20	1 1/4														1.43	
HC 207-22	1 3/8	2.835	2.012	2.012	0.787	0.740	0.740	0.224	2.189	0.689	0.256	5/16-24	5,754	3,439	1.30	
HC 207-23	1 7/16														1.21	
HC 208-24	1 1/2	3.150	2.217	2.217	0.827	0.843	0.843	0.244	2.374	0.720	0.256	5/16-24	6,518	3,996	1.63	
HC 209-26	1 5/8														2.05	
HC 209-27	1 11/16	3.346	2.217	2.217	0.866	0.843	0.843	0.252	2.500	0.720	0.256	5/16-24	7,372	4,630	1.94	
HC 209-28	1 3/4														1.85	
HC 210-30	1 7/8														2.58	
HC 210-31	1 15/16	3.543	2.469	2.469	0.945	0.969	0.969	0.256	2.752	0.720	0.256	5/16-24	7,857	5,186	2.45	
HC 210-32	2														2.32	
HC 211-32	2														3.51	
HC 211-34	2 1/8	3.937	2.811	2.811	0.984	1.094	1.091	0.276	3.000	0.815	0.315	3/8-24	9,663	6,568	3.20	
HC 211-35	2 3/16														3.02	
HC 212-36	2 1/4														4.30	
HC 212-38	2 3/8	4.331	3.063	3.063	0.945	1.220	1.217	0.299	3.315	0.878	0.315	3/8-24	11,715	8,084	3.90	
HC 212-39	2 7/16														3.70	
HC 213-40	2 1/2	4.724	3.374	3.374	1.102	1.343	1.343	0.350	3.386	0.925	0.335	3/8-24	12,795	8,958	4.72	
HC 214-43	2 11/16														5.01	
HC 214-44	2 3/4	4.921	3.374	3.374	1.181	1.343	1.343	0.350	3.543	0.925	0.335	3/8-24	13,896	9,839	4.74	
HC 215-47	2 15/16														5.64	
HC 215-48	3	5.118	3.626	3.626	1.260	1.469	1.469	0.350	4.016	0.925	0.335	3/8-24	14,975	10,757	5.36	

SA 200 CSA 200

Light-Duty Ball Bearing
Eccentric Lock
Inch Series

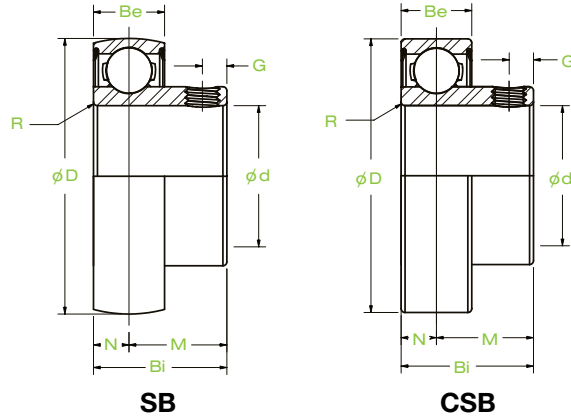


Insert Number		Dimensions (in.)										Load Rating (lbs.)		Weight (lbs.)	
		d	D	Bi	Be	r	N	M	W	K	G	Setscrew Size	Dy-namic		Static
SA 201-8	CSA 201-8	1/2													0.37
SA 202-10	CSA 202-10	5/8	1.850	1.220	0.551	0.059	0.276	0.571	1.311	0.531	0.197	1/4-28	2,866	1,492	0.35
SA 204-12	CSA 204-12	3/4													0.33
SA 205-14	CSA 205-14	7/8													0.46
SA 205-15	CSA 205-15	15/16	2.047	1.220	0.591	0.059	0.295	0.551	1.500	0.531	0.197	1/4-28	3,130	1,755	0.42
SA 205-16	CSA 205-16	1													0.40
SA 206-18	CSA 206-18	1 1/8													0.71
SA 206-19	CSA 206-19	1 3/16	2.441	1.406	0.630	0.059	0.315	0.622	1.752	0.626	0.236	1/4-28	4,355	2,522	0.66
SA 206-20	CSA 206-20	1 1/4													0.64
SA 207-20	CSA 207-20	1 1/4													1.21
SA 207-22	CSA 207-22	1 3/8	2.835	1.531	0.669	0.079	0.335	0.665	2.189	0.689	0.256	5/16-24	5,754	3,439	1.10
SA 207-23	CSA 207-23	1 7/16													1.04
SA 208-24	CSA 208-24	1 1/2	3.150	1.720	0.709	0.079	0.354	0.835	2.374	0.720	2.559	5/16-24	6,518	3,996	1.48
SA 209-26	CSA 209-26	1 5/8													1.63
SA 209-27	CSA 209-27	1 11/16	3.346	1.720	0.748	0.079	0.374	0.815	2.500	0.720	0.256	5/16-24	7,372	4,630	1.59
SA 209-28	CSA 209-28	1 3/4													1.48
SA 210-30	CSA 210-30	1 7/8													1.90
SA 210-31	CSA 210-31	1 15/16	3.543	1.720	0.787	0.079	0.394	0.795	2.752	0.720	0.256	5/16-24	7,857	5,186	1.83
SA 210-32	CSA 210-32	2													1.74
SA 211-32	CSA 211-32	2													2.09
SA 211-34	CSA 211-34	2 1/8	3.937	1.906	0.827	0.098	0.413	0.866	3.000	0.815	0.315	5/16-24	9,663	6,568	1.90
SA 211-35	CSA 211-35	2 3/16													1.79
SA 212-36	CSA 212-36	2 1/4													0.22
SA 212-38	CSA 212-38	2 3/8	4.331	2.091	0.866	0.098	0.433	1.028	3.315	0.878	0.315	3/8-24	11,715	8,084	2.18
SA 212-39	CSA 212-39	2 7/16													2.16



SB 200 CSB 200

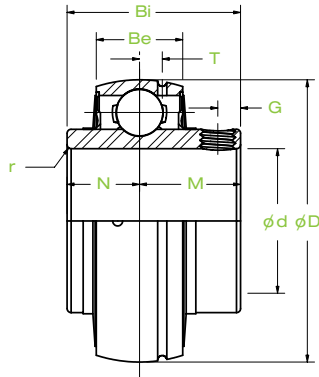
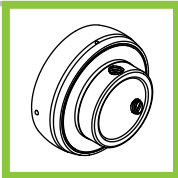
Light-Duty Ball Bearing
Setscrew Lock
Inch Series



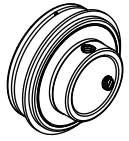
Insert Number		Dimensions (in.)								Load Rating (lbs.)		Weight (lbs.)	
		d	D	Bi	Be	r	N	M	G	Setscrew Size	Dynamic		Static
SB 201-8	CSB 201-8	1/2											0.31
SB 202-10	CSB 202-10	5/8	1.850	0.984	0.551	0.059	0.276	0.709	0.177	1/4-28	2,866	1,492	0.29
SB 204-12	CSB 204-12	3/4											0.26
SB 205-14	CSB 205-14	7/8											0.40
SB 205-15	CSB 205-15	15/16	2.047	1.063	0.591	0.059	0.295	0.768	0.197	1/4-28	3,130	1,755	0.37
SB 205-16	CSB 205-16	1											0.35
SB 206-18	CSB 206-18	1 1/8											0.57
SB 206-19	CSB 206-19	1 3/16	2.441	1.181	0.630	0.059	0.315	0.866	0.217	1/4-28	4,355	2,522	0.55
SB 206-20	CSB 206-20	1 1/4											0.51
SB 207-20	CSB 207-20	1 1/4											0.90
SB 207-22	CSB 207-22	1 3/8	2.835	1.260	0.669	0.079	0.335	0.925	0.236	5/16-24	5,754	3,439	0.82
SB 207-23	CSB 207-23	1 7/16											0.77
SB 208-24	CSB 208-24	1 1/2	3.150	1.339	0.709	0.079	0.354	0.984	0.315	5/16-24	6,518	3,996	1.06
SB 209-26	CSB 209-26	1 5/8											1.76
SB 209-27	CSB 209-27	1 11/16	3.346	1.622	0.748	0.079	0.402	1.220	0.315	5/16-24	7,372	4,630	1.76
SB 209-28	CSB 209-28	1 3/4											1.76
SB 210-30	CSB 210-30	1 7/8											1.92
SB 210-31	CSB 210-31	1 15/16	3.543	1.713	0.787	0.079	0.429	1.283	0.354	5/16-24	7,857	5,186	1.92
SB 210-32	CSB 210-32	2											1.92
SB 211-32	CSB 211-32	2											2.43
SB 211-34	CSB 211-34	2 1/8	3.937	1.783	0.827	0.098	0.465	1.319	0.394	5/16-24	9,663	6,568	2.43
SB 211-35	CSB 211-35	2 3/16											2.43
SB 212-36	CSB 212-36	2 1/4											2.87
SB 212-38	CSB 212-38	2 3/8	4.331	2.114	0.866	0.098	0.587	1.528	0.394	3/8-24	11,715	8,084	2.87
SB 212-39	CSB 212-39	2 7/16											2.87

UCX 00

Medium-Duty Ball Bearing
Setscrew Lock
Inch Series

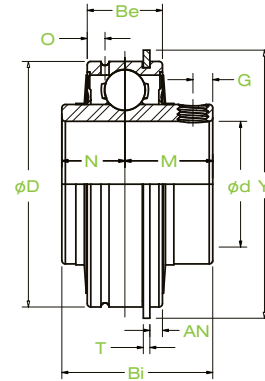


Insert Number	Dimensions (in.)										Load Rating (lbs.)		Weight (lbs.)
	d	D	Bi	Be	r	N	M	G	T	Setscrew Size	Dynamic	Static	
UCX 05-16	1	2.441	1.500	0.748	0.059	0.626	0.874	0.197	0.197	1/4-28	4,355	2,522	0.75
UCX 06-18	1 1/8	2.835	1.689	0.787	0.079	0.689	1.000	0.236	0.224	5/16-24	5,754	3,439	1.26
UCX 06-19	1 3/16												1.19
UCX 06-20	1 1/4												1.15
UCX 07-20	1 1/4	3.150	1.937	0.827	0.079	0.748	1.189	0.315	0.244	5/16-24	6,518	3,996	1.70
UCX 07-22	1 3/8												1.54
UCX 07-23	1 7/16												1.48
UCX 08-24	1 1/2	3.346	1.937	0.866	0.079	0.748	1.189	0.315	0.252	5/16-24	7,372	4,630	2.03
UCX 09-26	1 5/8	3.543	2.031	0.945	0.079	0.748	1.283	0.394	0.256	3/8-24	7,857	5,186	2.49
UCX 09-27	1 11/16												2.40
UCX 09-28	1 3/4												2.32
UCX 10-31	1 15/16	3.937	2.189	0.984	0.098	0.874	1.315	0.394	0.276	3/8-24	9,663	6,568	2.89
UCX 11-32	2	4.331	2.563	1.063	0.098	1.000	1.563	0.394	0.299	3/8-24	11,715	8,084	4.19
UCX 11-34	2 1/8												3.90
UCX 11-35	2 3/16												3.75
UCX 12-36	2 1/4	4.724	2.563	1.102	0.098	1.000	1.563	0.394	0.350	3/8-24	12,795	8,958	4.41
UCX 12-38	2 3/8												4.08
UCX 12-39	2 7/16												3.92
UCX 13-40	2 1/2	4.921	2.937	1.181	0.098	1.189	1.748	0.472	0.350	7/16-20	13,896	9,839	5.12
UCX 14-43	2 11/16	5.118	3.063	1.260	0.098	1.311	1.752	0.472	0.350	7/16-20	14,975	10,757	5.51
UCX 14-44	2 3/4												5.29
UCX 15-47	2 15/16	5.512	3.252	1.299	0.118	1.311	1.941	0.551	0.378	7/16-20	16,008	11,687	7.41
UCX 15-48	3												7.12
UCX 17-52	3 1/4	6.299	3.780	1.457	0.118	1.563	2.217	0.591	0.433	7/16-20	21,168	15,744	11.05
UCX 17-55	3 7/16												10.82



SER 200

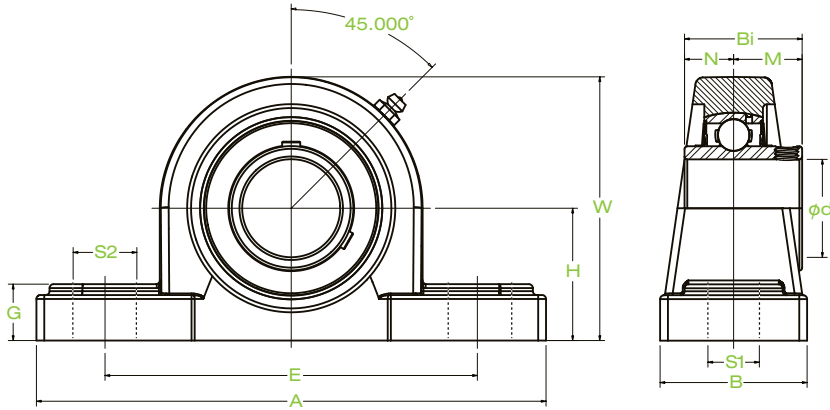
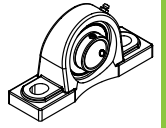
Normal-Duty Ball Bearing with Snap Ring
Setscrew Lock (Cylindrical O.D.)
Inch Series



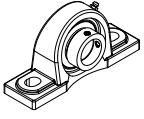
Insert Number	Dimensions (in.)												Load Rating (lbs.)		Weight (lbs.)	
	d	D	Bi	Be	N	M	T	O	X	AN	Y	G	Set-screw Size	Dynamic		Static
SER 201-8	1/2															0.60
SER 202-10	5/8	1.850	1.220	0.626	0.453	0.768	0.042	0.157	0.594	0.097	2.075	0.197	1/4-28	2,866	1,492	0.53
SER 204-12	3/4															0.49
SER 205-14	7/8															0.51
SER 205-15	15/16	2.047	1.374	0.752	0.516	0.858	0.042	0.205	0.621	0.097	2.280	0.217	1/4-28	3,130	1,755	0.49
SER 205-16	1															0.44
SER 206-18	1 1/8															0.82
SER 206-19	1 3/16	2.441	1.500	0.874	0.626	0.874	0.065	0.220	0.627	0.125	2.665	0.217	1/4-28	4,355	2,522	0.77
SER 206-20	1 1/4															0.77
SER 207-20	1 1/4															1.23
SER 207-22	1 3/8	2.835	1.689	0.937	0.689	1.000	0.065	0.220	0.721	0.125	3.094	0.256	5/16-24	5,754	3,439	1.15
SER 207-23	1 7/16															1.06
SER 208-24	1 1/2	3.150	1.937	1.094	0.748	1.189	0.065	0.252	0.831	0.125	3.409	0.315	5/16-24	6,518	3,996	1.59
SER 209-26	1 5/8															1.98
SER 209-27	1 11/16	3.346	1.937	1.094	0.748	1.189	0.065	0.252	0.831	0.125	3.606	0.315	5/16-24	7,372	4,630	1.76
SER 209-28	1 3/4															1.81
SER 210-30	1 7/8															2.03
SER 210-31	1 15/16	3.543	2.031	1.126	0.748	1.283	0.095	0.295	0.939	0.125	3.799	0.354	3/8-24	7,857	5,186	1.92
SER 210-32	2															1.87
SER 211-32	2															2.82
SER 211-34	2 1/8	3.937	2.189	1.189	0.874	1.315	0.095	0.295	0.939	0.125	4.193	0.354	3/8-24	9,663	6,568	2.60
SER 211-35	2 3/16															2.47
SER 212-36	2 1/4															3.75
SER 212-38	2 3/8	4.331	2.563	1.252	1.000	1.563	0.095	0.295	1.157	0.125	4.591	0.413	3/8-24	11,715	8,084	3.44
SER 212-39	2 7/16															3.26

UCP 200

Normal-Duty Pillow Block
Setscrew Lock
Metric Series

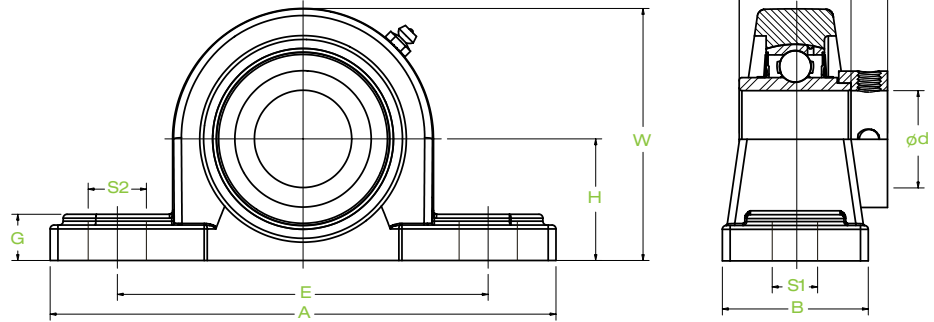


Bearing Number	Dimensions (mm)												Bolt Size	Load Rating (kN)		Unit Wt. (kg)	Insert Number	Housing Number
	d	H	A	E	B	S2	S1	G	W	Bi	N	M		Dynamic	Static			
UCP 201	12	33.3	127.0	95.0	38.0	19.0	13.0	14.0	65.0	31.000	12.700	18.3	M10	12.75	6.64	0.67	UC 201	P 204
UCP 202																0.65	UC 202	
UCP 203																0.64	UC 203	
UCP 204																0.62	UC 204	
UCP 205	25	36.5	140.0	105.0	38.0	19.0	13.0	15.0	71.0	34.100	14.300	19.8	M10	13.92	7.81	0.79	UC 205	P 205
UCP 206	30	42.9	165.0	121.0	48.0	21.0	17.0	17.0	83.0	38.100	15.900	22.2	M14	19.37	11.22	1.28	UC 206	P 206
UCP 207	35	47.6	167.0	127.0	48.0	21.0	17.0	18.0	93.0	42.900	17.500	25.4	M14	25.60	15.30	1.46	UC 207	P 207
UCP 208	40	49.2	184.0	137.0	54.0	21.0	17.0	18.0	98.0	49.200	19.000	30.2	M14	28.99	17.78	1.93	UC 208	P 208
UCP 209	45	54.0	190.0	146.0	54.0	21.0	17.0	20.0	106.0	49.200	19.000	30.2	M14	32.79	20.60	2.51	UC 209	P 209
UCP 210	50	57.2	206.0	159.0	60.0	25.0	20.0	21.0	114.0	51.600	19.000	32.6	M16	34.95	23.07	2.61	UC 210	P 210
UCP 211	55	63.5	219.0	171.0	60.0	25.0	20.0	23.0	126.0	55.600	22.200	33.4	M16	42.98	29.22	3.47	UC 211	P 211
UCP 212	60	69.8	241.0	184.0	70.0	25.0	20.0	25.0	138.0	65.100	25.400	39.7	M16	52.11	35.96	4.32	UC 212	P 212
UCP 213	65	76.2	265.0	203.0	70.0	29.0	25.0	27.0	151.0	65.100	25.400	39.7	M20	56.92	39.85	5.30	UC 213	P 213
UCP 214	70	79.4	266.0	210.0	72.0	31.0	25.0	27.0	157.0	74.600	30.200	44.4	M20	61.81	43.77	6.51	UC 214	P 214
UCP 215	75	82.6	275.0	217.0	74.0	31.0	25.0	28.0	163.0	77.800	33.300	44.5	M20	66.61	47.85	7.09	UC 215	P 215



HCAK 200

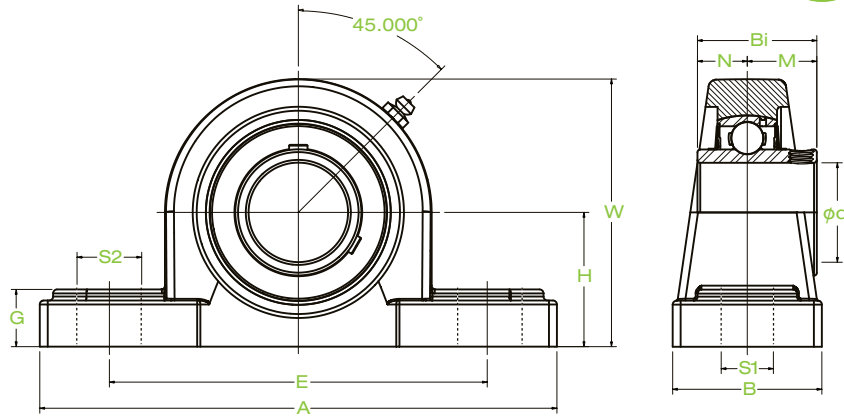
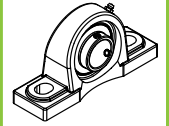
Normal-Duty Pillow Block
Eccentric Lock
Metric Series



Bearing Number	Dimensions (mm)													Load Rating (kN)		Unit Wt. (kg)	Insert Number	Housing Number
	d	H	A	E	B	S2	S1	G	W	Bi	M	N	Bolt Size	Dynamic	Static			
HCAK 201	12	21.8	133.0	98.0	41.0	16.0	12.0	14.3	64.0	43.7	17.1	17.1	M10	11.46	5.97	0.87	HC 201	AK 204
HCAK 202	15															0.84	HC 202	
HCAK 203	17															0.83	HC 203	
HCAK 204	20															0.81	HC 204	
HCAK 205	25	33.3	140.0	105.0	45.0	16.0	12.0	16.0	68.0	44.4	17.4	17.5	M10	12.52	7.02	0.97	HC 205	AK 205
HCAK 206	30	39.7	160.0	121.0	48.0	19.0	15.0	17.0	80.0	48.4	18.2	18.3	M12	17.42	10.09	1.32	HC 206	AK 206
HCAK 207	35	46.0	167.0	127.0	48.0	19.0	15.0	19.0	92.0	51.1	18.8	18.8	M12	23.02	13.76	1.72	HC 207	AK 207
HCAK 208	40	49.2	181.0	140.0	54.0	19.0	15.0	19.0	100.0	56.3	21.4	21.4	M12	26.07	15.98	2.17	HC 208	AK 208
HCAK 209	45	52.4	190.0	146.0	54.0	19.0	15.0	21.0	106.0	56.3	21.4	21.4	M12	29.49	18.52	2.47	HC 209	AK 209
HCAK 210	50	55.6	203.0	159.0	57.0	19.0	15.0	22.0	113.0	62.7	24.6	24.6	M12	31.43	20.74	2.98	HC 210	AK 210
HCAK 211	55	61.9	232.0	181.0	60.0	24.0	20.0	25.0	125.0	71.4	27.7	27.8	M16	38.65	26.27	3.95	HC 211	AK 211
HCAK 212	60	68.3	241.0	190.0	64.0	24.0	20.0	29.0	138.0	77.8	30.9	31.0	M16	46.86	32.34	4.80	HC 212	AK 212
HCAK 213	65	68.3	248.0	194.0	70.0	29.0	22.0	27.0	141.0	85.7	34.1	34.1	M20	51.18	35.83	6.61	HC 213	AK 213
HCAK 214	70	82.6	294.0	232.0	72.0	32.0	22.0	29.0	160.0	85.7	34.1	34.1	M20	55.58	39.36	7.27	HC 214	AK 214
HCAK 215	75	84.1	304.0	241.0	74.0	32.0	22.0	32.0	165.0	92.1	37.3	37.3	M20	59.90	43.03	9.18	HC 215	AK 215

UCPX 00

Medium Duty Pillow Block
Setscrew Lock
Metric Series

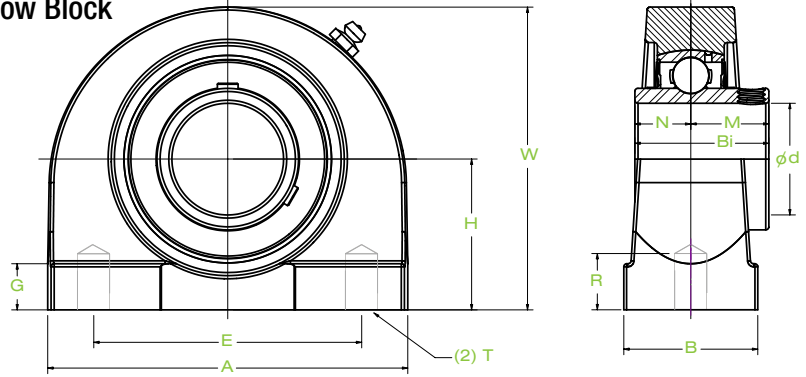


Bearing Number	Dimensions (mm)												Bolt Size	Load Rating (kN)		Unit Wt. (kg)	Insert Number	Housing Number
	d	H	A	E	B	S2	S1	G	W	Bi	N	M		Dynamic	Static			
UCPX 05	25	44.4	159.0	119.0	51.0	25.0	17.0	18.0	85.0	38.100	15.900	22.2	M14	19.37	11.22	1.37	UCX 05	PX 05
UCPX 06	30	47.6	175.0	127.0	57.0	25.0	17.0	20.0	94.0	42.900	17.500	25.4	M14	25.60	15.30	1.87	UCX 06	PX 06
UCPX 07	35	54.0	203.0	144.0	57.0	30.0	17.0	22.0	105.0	49.200	19.000	30.2	M14	28.99	17.78	2.41	UCX 07	PX 07
UCPX 08	40	58.7	222.0	156.0	67.0	32.0	20.0	26.0	113.0	49.200	19.000	30.2	M16	32.79	20.60	2.97	UCX 08	PX 08
UCPX 09	45	58.7	222.0	156.0	67.0	33.0	20.0	26.0	116.0	51.600	19.000	32.6	M16	34.95	23.07	3.33	UCX 09	PX 09
UCPX 10	50	63.5	241.0	171.0	73.0	36.0	20.0	27.0	126.0	55.600	22.200	33.4	M16	42.98	29.22	4.13	UCX 10	PX 10
UCPX 11	55	69.8	260.0	184.0	79.0	36.0	25.0	30.0	139.0	65.100	25.400	39.7	M20	52.11	35.96	5.77	UCX 11	PX 11
UCPX 12	60	76.2	286.0	203.0	83.0	41.0	25.0	32.0	151.0	65.100	25.400	39.7	M20	56.92	39.85	6.72	UCX 12	PX 12
UCPX 13	65	76.2	286.0	203.0	83.0	41.0	25.0	32.0	154.0	74.600	30.200	44.4	M20	61.81	43.77	7.23	UCX 13	PX 13
UCPX 14	70	88.9	330.0	229.0	89.0	51.0	27.0	35.0	172.0	77.800	33.300	44.5	M22	66.61	47.85	9.51	UCX 14	PX 14
UCPX 15	75	88.9	330.0	229.0	89.0	51.0	27.0	35.0	177.0	82.600	33.300	49.3	M22	71.21	51.99	9.98	UCX 15	PX 15
UCPX 17	85	101.6	381.0	283.0	102.0	59.0	27.0	42.0	202.0	96.000	39.700	56.3	M22	94.16	70.03	15.41	UCX 17	PX 17



UCTB 200

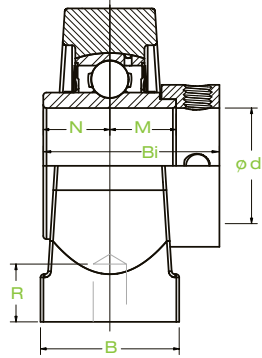
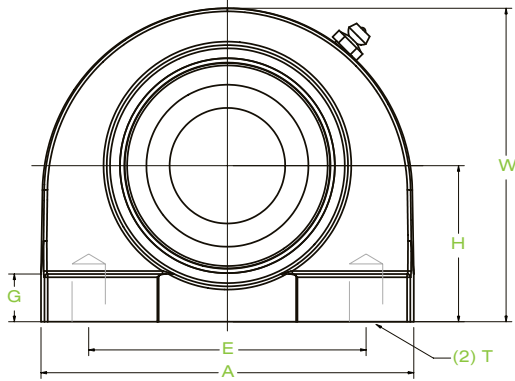
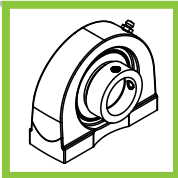
Normal-Duty Tapped Base Pillow Block
Setscrew Lock
Metric Series



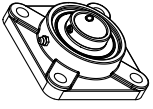
Bearing Number	Dimensions (mm)												Bolt Size	Load Rating (kN)		Unit Wt. (kg)	Insert Number	Housing Number	
	d	H	A	E	B	T	R	G	W	Bi	M	N		Dynamic	Static				
UCTB 201	12																0.63	UC 201	TB 204
UCTB 202	15	33.3	73.0	50.8	38.0	M8	13.0	11.0	65.0	31.000	18.300	12.7	M8 x 1.25	12.75	6.64	0.61	UC 202		
UCTB 203	17															0.60	UC 203		
UCTB 204	20															0.58	UC 204		
UCTB 205	25															36.5	76.0	50.8	38.0
UCTB 206	30	42.9	102.0	76.2	38.0	M10	16.0	12.0	86.0	38.100	22.200	15.9	M10 x 1.5	19.37	11.22	1.28	UC 206	TB 206	
UCTB 207	35	47.6	108.0	82.5	48.0	M10	20.0	13.0	95.0	42.900	25.400	17.5	M10 x 1.5	25.60	15.30	1.79	UC 207	TB 207	
UCTB 208	40	49.2	117.0	88.9	48.0	M12	20.0	13.0	100.0	49.200	30.200	19.0	M12 x 1.75	28.99	17.78	2.25	UC 208	TB 208	
UCTB 209	45	54.0	127.0	95.3	51.0	M12	20.0	14.0	108.0	49.200	30.200	19.0	M12 x 1.75	32.79	20.60	2.48	UC 209	TB 209	
UCTB 210	50	57.5	140.0	101.6	51.0	M16	23.0	14.0	118.0	51.600	32.600	19.0	M16 x 2	34.95	23.07	3.08	UC 210	TB 210	

HCTB 200

Normal-Duty Tapped Base
Pillow Block
Eccentric Lock
Metric Series

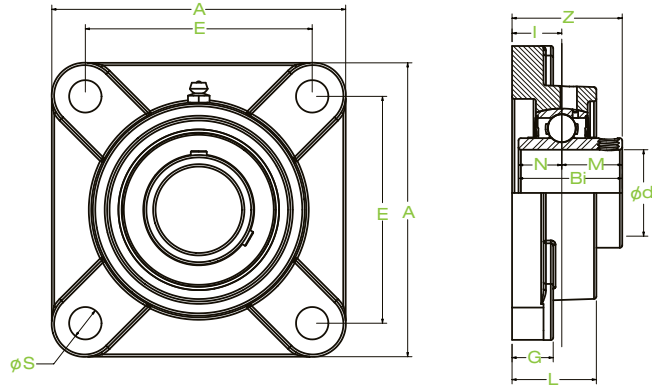


Bearing Number	Dimensions (mm)											Bolt Size	Load Rating (kN)		Unit Wt. (kg)	Insert Number	Housing Number		
	d	H	A	E	B	T	R	G	W	Bi	M		N	Dynamic				Static	
HCTB 201	12	33.3	73.0	50.8	38.0	M8	13.0	11.0	65.0	43.700	17.100	17.1	M8 x 1.25	12.75	6.64	0.69	HC 201	TB 204	
HCTB 202	15															0.66			HC 202
HCTB 203	17															0.65			HC 203
HCTB 204	20															0.63			HC 204
HCTB 205	25	36.5	76.0	50.8	38.0	M10	13.0	12.0	71.0	44.400	17.400	17.5	M10 x 1.5	13.92	7.81	0.75	HC 205	TB 205	
HCTB 206	30	42.9	102.0	76.2	38.0	M10	16.0	12.0	86.0	48.400	18.200	18.3	M10 x 1.5	19.37	11.22	1.33	HC 206	TB 206	
HCTB 207	35	47.6	108.0	82.5	48.0	M10	20.0	13.0	95.0	51.100	18.800	18.8	M10 x 1.5	25.60	15.30	1.92	HC 207	TB 207	
HCTB 208	40	49.2	117.0	88.9	48.0	M12	20.0	13.0	100.0	56.300	21.400	21.4	M12 x 1.75	28.99	17.78	2.36	HC 208	TB 208	
HCTB 209	45	54.0	127.0	95.3	51.0	M12	20.0	14.0	108.0	56.300	21.400	21.4	M12 x 1.75	32.79	20.60	2.62	HC 209	TB 209	
HCTB 210	50	57.5	140.0	101.6	51.0	M16	23.0	14.0	118.0	62.700	24.600	24.6	M16 x 2	34.95	23.07	3.38	HC 210	TB 210	



UCF 200

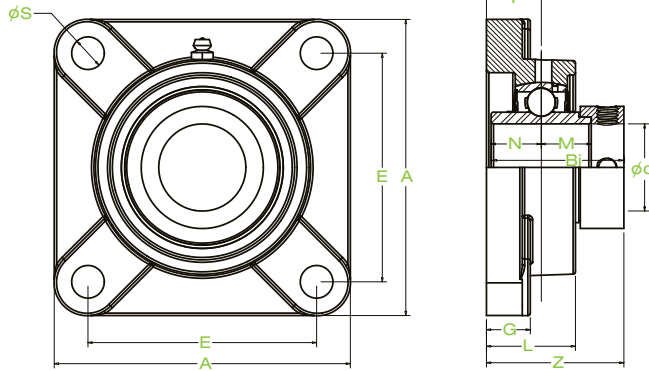
Normal-Duty 4 Bolt Flange Block
Setscrew Lock
Metric Series



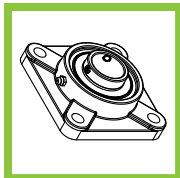
Bearing Number	Dimensions (mm)								Bi	N	M	Bolt Size	Load Rating (kN)		Unit Wt. (kg)	Insert Number	Housing Number
	d	A	E	I	G	L	S	Z					Dynamic	Static			
UCF 201	12	86.0	64.0	15.0	12.0	25.5	12.0	33.3	31.000	12.700	18.3	M10	12.75	6.64	0.81	UC 201	F 204
UCF 202	15														0.79	UC 202	
UCF 203	17														0.78	UC 203	
UCF 204	20														0.76	UC 204	
UCF 205	25	95.0	70.0	16.0	14.0	27.0	12.0	35.8	34.100	14.300	19.8	M10	13.92	7.81	1.05	UC 205	F 205
UCF 206	30	108.0	83.0	18.0	14.0	31.0	12.0	40.2	38.100	15.900	22.2	M10	19.37	11.22	1.41	UC 206	F 206
UCF 207	35	117.0	92.0	19.0	16.0	34.0	14.0	44.4	42.900	17.500	25.4	M12	25.60	15.30	2.06	UC 207	F 207
UCF 208	40	130.0	102.0	21.0	16.0	36.0	16.0	51.2	49.200	19.000	30.2	M14	28.99	17.78	2.53	UC 208	F 208
UCF 209	45	137.0	105.0	22.0	18.0	38.0	16.0	52.2	49.200	19.000	30.2	M14	32.79	20.60	3.08	UC 209	F 209
UCF 210	50	143.0	111.0	22.0	18.0	40.0	16.0	54.6	51.600	19.000	32.6	M14	34.95	23.07	3.38	UC 210	F 210
UCF 211	55	162.0	130.0	25.0	20.0	43.0	19.0	58.4	55.600	22.200	33.4	M16	42.98	29.22	4.57	UC 211	F 211
UCF 212	60	175.0	143.0	29.0	20.0	48.0	19.0	68.7	65.100	25.400	39.7	M16	52.11	35.96	5.72	UC 212	F 212
UCF 213	65	187.0	149.0	30.0	20.0	50.0	19.0	69.7	65.100	25.400	39.7	M16	56.92	39.85	7.10	UC 213	F 213
UCF 214	70	193.0	152.0	31.0	24.0	54.0	19.0	75.4	74.600	30.200	44.4	M16	61.81	43.77	7.56	UC 214	F 214
UCF 215	75	200.0	159.0	34.0	24.0	56.0	19.0	78.5	77.800	33.300	44.5	M16	66.61	47.85	8.39	UC 215	F 215

HCFS 200

Normal-Duty 4 Bolt Flange Block
Eccentric Lock
Metric Series

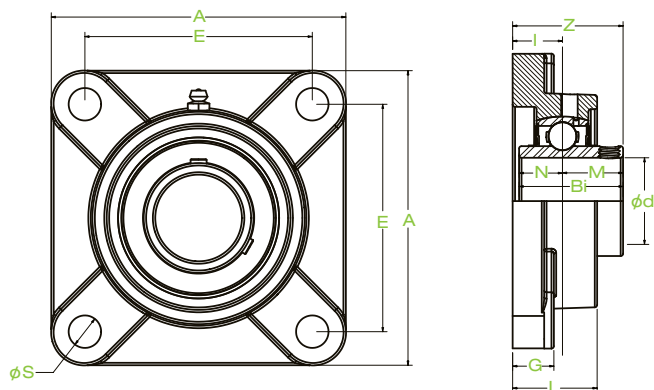


Bearing Number	Dimensions (mm)											Bolt Size	Load Rating (kN)		Unit Wt. (kg)	Insert Number	Housing Number	
	d	A	E	I	G	L	S	Z	Bi	M	N		Dynamic	Static				
HCFS 201	12	86.0	63.5	19.0	15.0	29.5	11.5	45.5	43.700	17.100	17.1	M8	12.75	6.64	0.85	HC 201	FS 204	
HCFS 202	15														0.82			HC 202
HCFS 203	17														0.81			HC 203
HCFS 204	20														0.79			HC 204
HCFS 205	25	93.0	70.0	19.0	15.0	0.0	11.5	45.9	44.400	17.400	17.5	M8	13.92	7.81	0.86	HC 205	FS 205	
HCFS 206	30	106.0	82.5	20.0	16.0	32.5	13.0	50.1	48.400	18.200	18.3	M10	19.37	11.22	1.16	HC 206	FS 206	
HCFS 207	35	116.0	92.0	21.0	17.0	35.0	13.0	53.3	51.100	18.800	18.8	M10	25.60	15.30	1.59	HC 207	FS 207	
HCFS 208	40	129.0	101.5	24.0	17.0	39.0	14.0	58.9	56.300	21.400	21.4	M12	28.99	17.78	1.65	HC 208	FS 208	
HCFS 209	45	135.0	105.0	24.0	18.0	40.0	16.0	58.9	56.300	21.400	21.4	M14	32.79	20.60	2.36	HC 209	FS 209	
HCFS 210	50	143.0	111.0	28.0	20.0	45.0	16.0	66.1	62.700	24.600	24.6	M14	34.95	23.07	2.86	HC 210	FS 210	
HCFS 211	55	162.0	130.0	31.0	21.0	49.0	17.0	74.6	71.400	27.700	27.8	M14	42.98	29.22	3.9	HC 211	FS 211	
HCFS 212	60	175.0	143.0	34.0	22.0	53.5	17.0	80.8	77.800	30.900	31.0	M14	52.11	35.96	4.5	HC 212	FS 212	
HCFS 213	65	184.0	149.0	38.0	22.0	58.0	18.0	89.6	85.700	34.100	34.1	M16	56.92	39.85	5.63	HC 213	FS 213	
HCFS 214	70	188.0	152.0	38.0	23.0	60.0	18.0	89.6	85.700	34.100	34.1	M16	61.81	43.77	6.23	HC 214	FS 214	
HCFS 215	75	200.0	152.4	41.0	24.0	62.0	20.0	95.8	92.100	37.300	37.3	M16	66.61	47.85	7.34	HC 215	FS 215	



UCFX 00

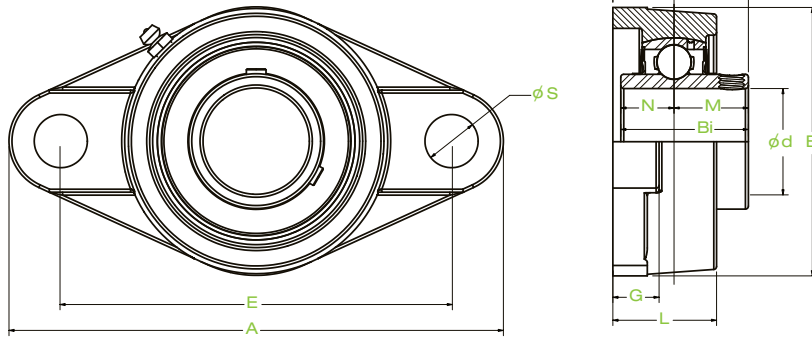
Medium-Duty 4 Bolt Flange Block
Setscrew Lock
Metric Series



Bearing Number	Dimensions (mm)											Bolt Size	Load Rating (kN)		Unit Wt. (kg)	Insert Number	Housing Number
	d	A	E	I	G	L	S	Z	Bi	N	M		Dynamic	Static			
UCFX 05	25	108.0	83.0	18.0	13.0	30.0	12.0	40.2	38.100	15.900	22.2	M10	19.37	11.22	1.37	UCX 05	FX 05
UCFX 06	30	117.0	92.0	19.0	14.3	34.0	16.0	44.4	42.900	17.500	25.4	M14	25.60	15.30	2.00	UCX 06	FX 06
UCFX 07	35	130.0	102.0	21.0	14.3	38.0	16.0	51.2	49.200	19.000	30.2	M14	28.99	17.78	2.64	UCX 07	FX 07
UCFX 08	40	137.0	105.0	22.0	14.3	40.0	19.0	52.2	49.200	19.000	30.2	M16	32.79	20.60	3.08	UCX 08	FX 08
UCFX 09	45	143.0	111.0	23.0	14.3	40.0	19.0	55.6	51.600	19.000	32.6	M16	34.95	23.07	3.45	UCX 09	FX 09
UCFX 10	50	162.0	130.0	26.0	20.0	44.0	19.0	59.4	55.600	22.200	33.4	M16	42.98	29.22	4.69	UCX 10	FX 10
UCFX 11	55	175.0	143.0	29.0	20.0	49.0	19.0	68.7	65.100	25.400	39.7	M16	52.11	35.96	6.25	UCX 11	FX 11
UCFX 12	60	187.0	149.0	34.0	21.0	59.0	19.0	73.7	65.100	25.400	39.7	M16	56.92	39.85	7.19	UCX 12	FX 12
UCFX 13	65	187.0	149.0	34.0	21.0	59.0	19.0	78.4	74.600	30.200	44.4	M16	61.81	43.77	7.76	UCX 13	FX 13
UCFX 14	70	197.0	152.0	37.0	24.0	60.0	23.0	81.5	77.800	33.300	44.5	M20	66.61	47.85	9.16	UCX 14	FX 14
UCFX 15	75	197.0	152.0	40.0	24.0	68.0	23.0	89.3	82.600	33.300	49.3	M20	71.21	51.99	11.15	UCX 15	FX 15
UCFX 17	85	214.0	171.0	40.0	24.0	70.0	23.0	96.3	96.000	39.700	56.3	M20	94.16	70.03	15.00	UCX 17	FX 17

UCFL 200

Normal-Duty 2 Bolt
Flange Block
Setscrew Lock
Metric Series

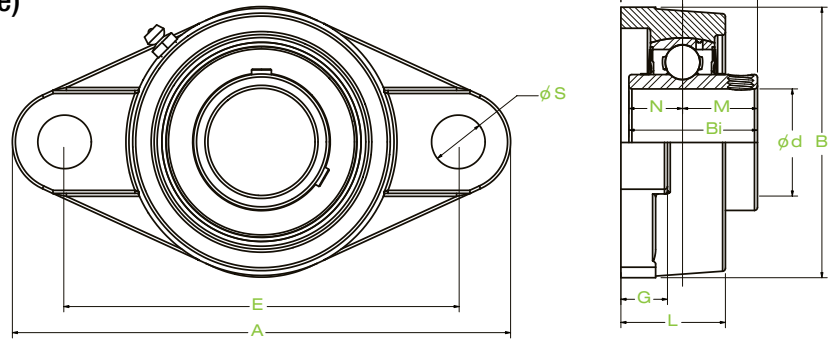


Bearing Number	Dimensions (mm)												Bolt Size	Load Rating (kN)		Unit Wt. (kg)	Insert Number	Housing Number
	d	A	E	I	G	L	S	B	Z	Bi	N	M		Dynamic	Static			
UCFL 201	12	113.0	90.0	15.0	12.0	25.5	12.0	60.0	33.3	31.000	12.700	18.3	M10	12.75	6.64	0.48	UC 201	FL 204
UCFL 202	15															0.47	UC 202	
UCFL 203	17															0.46	UC 203	
UCFL 204	20															0.44	UC 204	
UCFL 205	25	130.0	99.0	16.0	14.0	27.0	16.0	68.0	35.7	34.100	14.300	19.8	M14	13.92	7.81	0.59	UC 205	FL 205
UCFL 206	30	148.0	117.0	18.0	14.0	31.0	16.0	80.0	40.2	38.100	15.900	22.2	M14	19.37	11.22	0.85	UC 206	FL 206
UCFL 207	35	161.0	130.0	19.0	16.0	34.0	16.0	90.0	44.4	42.900	17.500	25.4	M14	25.60	15.30	1.11	UC 207	FL 207
UCFL 208	40	175.0	144.0	21.0	16.0	36.0	16.0	100.0	51.2	49.200	19.000	30.2	M14	28.99	17.78	1.43	UC 208	FL 208
UCFL 209	45	188.0	148.0	22.0	18.0	38.0	19.0	108.0	52.2	49.200	19.000	30.2	M16	32.79	20.60	1.83	UC 209	FL 209
UCFL 210	50	197.0	157.0	22.0	18.0	40.0	19.0	115.0	54.6	51.600	19.000	32.6	M16	34.95	23.07	2.03	UC 210	FL 210
UCFL 211	55	224.0	184.0	25.0	20.0	43.0	19.0	130.0	58.4	55.600	22.200	33.4	M16	42.98	29.22	2.92	UC 211	FL 211
UCFL 212	60	250.0	202.0	29.0	20.0	48.0	23.0	140.0	68.7	65.100	25.400	39.7	M20	52.11	35.96	3.62	UC 212	FL 212
UCFL 213	65	258.0	210.0	30.0	24.0	50.0	23.0	155.0	59.7	65.100	25.400	39.7	M20	56.92	39.85	4.60	UC 213	FL 213
UCFL 214	70	265.0	216.0	31.0	24.0	54.0	23.0	160.0	75.4	74.600	30.200	44.4	M20	61.81	43.77	5.28	UC 214	FL 214
UCFL 215	75	275.0	225.0	34.0	24.0	56.0	23.0	165.0	78.5	77.800	33.300	44.5	M20	66.61	47.85	5.55	UC 215	FL 215



UCFT 200

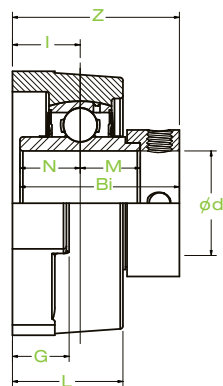
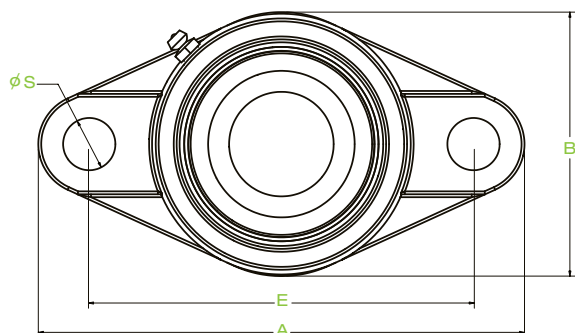
Normal-Duty 2 Bolt Flange Block
Setscrew Lock (Small Hole)
Metric Series



Bearing Number	Dimensions (mm)												Bolt Size	Load Rating (kN)		Unit Wt. (kg)	Insert Number	Housing Number	
	d	A	E	I	G	L	S	B	Z	Bi	N	M		Dynamic	Static				
UCFT 201	12																0.49	UC 201	FT 204
UCFT 202	15																0.47	UC 202	
UCFT 203	17	112.0	89.7	14.3	11.0	25.0	10.5	60.0	32.6	31.000	12.700	18.3	M8	12.75	6.64		0.46	UC 203	
UCFT 204	20																0.44	UC 204	
UCFT 205	25	124.0	98.8	15.9	13.0	27.0	12.5	70.0	35.6	34.100	14.300	19.8	M10	13.92	7.81	0.66	UC 205	FT 205	
UCFT 206	30	141.0	116.7	17.9	13.0	30.0	12.5	83.0	40.1	38.100	15.900	22.2	M10	19.37	11.22	0.86	UC 206	FT 206	
UCFT 207	35	156.0	130.2	19.1	14.0	34.0	14.0	95.0	44.5	42.900	17.500	25.4	M12	25.60	15.30	1.31	UC 207	FT 207	
UCFT 208	40	171.0	143.7	21.0	14.0	38.0	14.0	105.0	51.2	49.200	19.000	30.2	M12	28.99	17.78	1.53	UC 208	FT 208	
UCFT 209	45	179.0	148.4	21.8	14.0	40.0	16.0	111.0	52.0	49.200	19.000	30.2	M14	32.79	20.60	1.73	UC 209	FT 209	
UCFT 210	50	189.0	157.2	22.2	14.0	40.0	16.0	116.0	54.8	51.600	19.000	32.6	M14	34.95	23.07	2.28	UC 210	FT 210	
UCFT 211	55	216.0	184.2	25.4	21.0	44.0	18.0	133.0	58.5	55.600	22.200	33.4	M16	42.98	29.22	2.72	UC 211	FT 211	

HCFJT 200

Normal Duty 2 Bolt
Flange Block
Eccentric Lock
Metric Series

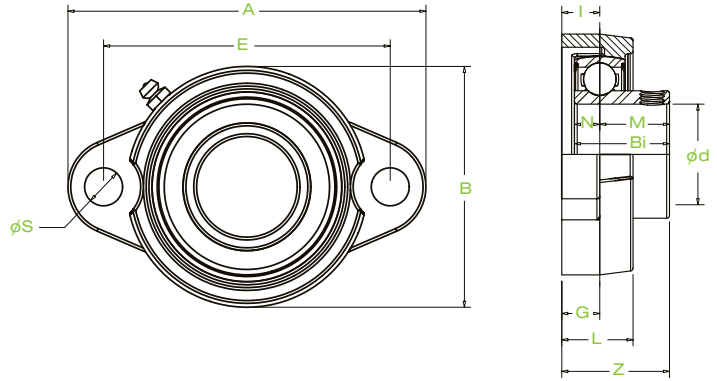


Bearing Number	Dimensions (mm)												Bolt Size	Load Rating (kN)		Unit Wt. (kg)	Insert Number	Housing Number
	d	A	E	I	G	L	S	B	Z	Bi	M	N		Dynamic	Static			
HCFJT 201	12	112.0	89.7	19.0	11.0	31.8	10.5	60.0	45.7	43.700	17.100	17.1	M8	12.75	6.64	0.65	HC 201	FJT 204
HCFJT 202	15															0.62	HC 202	
HCFJT 203	17															0.61	HC 203	
HCFJT 204	20															0.59	HC 204	
HCFJT 205	25	124.0	98.8	19.0	13.0	33.4	12.5	70.0	46.0	44.400	17.400	17.5	M10	13.92	7.81	0.61	HC 205	FJT 205
HCFJT 206	30	141.0	116.7	20.6	13.0	35.0	12.5	83.0	50.3	48.400	18.200	18.3	M10	19.37	11.22	1.04	HC 206	FJT 206
HCFJT 207	35	156.0	130.2	21.4	15.0	37.3	14.0	95.0	54.0	51.100	18.800	18.8	M12	25.60	15.30	1.48	HC 207	FJT 207
HCFJT 208	40	171.0	143.7	23.8	15.0	42.9	14.0	105.0	58.8	56.300	21.400	21.4	M12	28.99	17.78	2.11	HC 208	FJT 208
HCFJT 209	45	179.0	148.4	23.8	15.0	44.5	16.0	111.0	58.8	56.300	21.400	21.4	M14	32.79	20.60	2.54	HC 209	FJT 209
HCFJT 210	50	189.0	157.2	28.6	15.0	47.7	16.0	116.0	66.7	62.700	24.600	24.6	M14	34.95	23.07	2.70	HC 210	FJT 210
HCFJT 211	55	216.0	184.2	31.8	21.0	50.8	18.0	133.0	75.4	71.400	27.700	27.8	M16	42.98	29.22	3.65	HC 211	FJT 211



SBLF 200

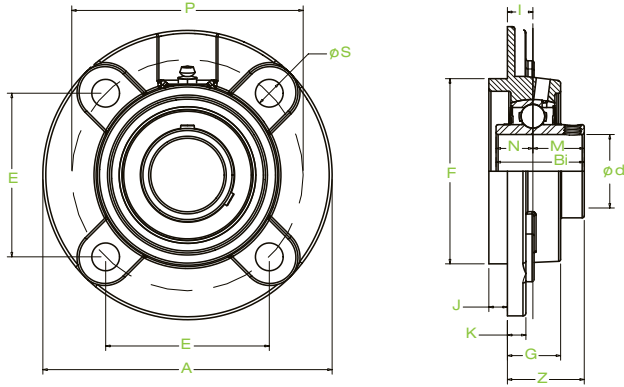
Light-Duty 2 Bolt Flange Block
Setscrew Lock
Metric Series



Bearing Number	Dimensions (mm)											Bolt Size	Load Rating (kN)		Unit Wt. (kg)	Insert Number	Housing Number		
	d	A	E	I	G	L	S	B	Z	Bi	N		M	Dynamic				Static	
SBLF 201	12	90.0	71.5	11.0	11.0	20.0	10.0	61.0	29.0	25.000	7.000	18.000	M8	12.75	6.64	0.29	SB 201	LF 204	
SBLF 202	15															0.28			SB 202
SBLF 203	17															0.27			SB 203
SBLF 204	20															0.32			SB 204
SBLF 205	25	95.0	76.0	11.0	11.0	20.0	10.0	64.0	30.5	27.000	7.500	19.500	M8	13.92	7.81	0.47	SB 205	LF 205	
SBLF 206	30	113.0	90.5	12.0	12.0	22.5	12.0	76.0	34.0	30.000	8.000	22.000	M10	19.37	11.22	0.61	SB 206	LF 206	
SBLF 207	35	122.0	100.0	13.0	13.0	24.0	12.0	89.0	36.5	32.000	8.500	23.500	M10	25.60	15.30	0.87	SB 207	LF 207	

UCFC 200

Normal Duty Flange Cartridge
Setscrew Lock
Metric Series

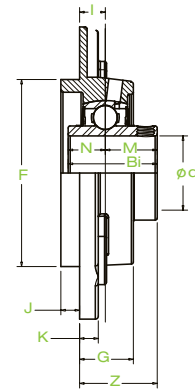
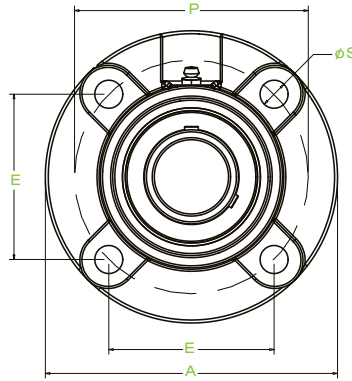


Bearing Number	Dimensions (mm)														Bolt Size	Load Rating (kN)		Unit Wt. (kg)	Insert Number	Housing Number
	d	A	P	E	I	S	J	K	G	F	Z	Bi	N	M		Dy-namic	Static			
UCFC 206	30	125.0	100.0	70.7	10.0	12.0	8.0	8.0	23.0	80.0	32.2	38.100	15.900	22.2	M10	19.37	11.22	1.31	UC 206	FC 206
UCFC 207	35	135.0	110.0	77.8	11.0	14.0	8.0	9.0	26.0	90.0	36.4	42.900	17.500	25.4	M12	25.60	15.30	1.66	UC 207	FC 207
UCFC 208	40	145.0	120.0	84.8	11.0	14.0	10.0	9.0	26.0	100.0	41.2	49.200	19.000	30.2	M12	28.99	17.78	2.08	UC 208	FC 208
UCFC 209	45	160.0	132.0	93.3	10.0	16.0	12.0	14.0	26.0	105.0	40.2	49.200	19.000	30.2	M14	32.79	20.60	2.78	UC 209	FC 209
UCFC 210	50	165.0	138.0	97.6	10.0	16.0	12.0	14.0	28.0	110.0	42.6	51.600	19.000	32.6	M14	34.95	23.07	2.88	UC 210	FC 210
UCFC 211	55	185.0	150.0	106.1	13.0	19.0	12.0	15.0	31.0	125.0	46.4	55.600	22.200	33.4	M16	42.98	29.22	4.17	UC 211	FC 211
UCFC 212	60	195.0	160.0	113.1	17.0	19.0	12.0	15.0	36.0	135.0	56.7	65.100	25.400	39.7	M16	52.11	35.96	4.72	UC 212	FC 212
UCFC 213	65	205.0	170.0	120.2	16.0	19.0	14.0	15.0	36.0	145.0	55.7	65.100	25.400	39.7	M16	56.92	39.85	5.55	UC 213	FC 213
UCFC 214	70	215.0	177.0	125.1	17.0	19.0	14.0	18.0	40.0	150.0	61.4	74.600	30.200	44.4	M16	61.81	43.77	6.81	UC 214	FC 214
UCFC 215	75	220.0	184.0	130.1	18.0	19.0	16.0	18.0	40.0	160.0	62.5	77.800	33.300	44.5	M16	66.61	47.85	7.19	UC 215	FC 215



UCFCX 00

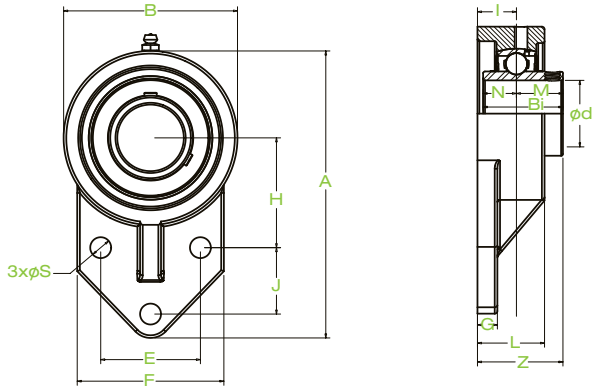
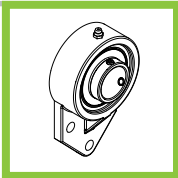
Medium-Duty Flange Cartridge
Setscrew Lock
Metric Series



Bearing Number	Dimensions (mm)														Bolt Size	Load Rating (kN)		Unit Wt. (kg)	Insert Number	Housing Number
	d	A	P	E	I	S	J	K	G	F	Z	Bi	N	M		Dy-namic	Static			
UCFCX 05	25	111.0	92.0	65.0	10.0	9.5	6.0	9.5	24.0	76.0	32.2	38.100	15.900	22.2	M8	19.37	11.22	1.45	UCX 05	FCX 05
UCFCX 06	30	127.0	105.0	74.2	8.0	12.0	9.5	9.5	22.5	85.0	33.4	42.900	17.500	25.4	M10	25.60	15.30	1.94	UCX 06	FCX 06
UCFCX 07	35	133.0	111.0	78.5	9.0	12.0	11.0	11.0	26.0	92.0	39.2	49.200	19.000	30.2	M10	28.99	17.78	2.50	UCX 07	FCX 07
UCFCX 09	45	155.0	130.0	91.9	8.0	14.0	12.0	11.0	25.0	108.0	40.6	51.600	19.000	32.6	M12	34.95	23.07	3.53	UCX 08	FCX 09
UCFCX 10	50	162.0	136.0	96.2	7.0	14.0	16.0	11.0	25.0	118.0	40.4	55.600	22.200	33.4	M12	42.98	29.22	4.28	UCX 09	FCX 10
UCFCX 11	55	180.0	152.0	108.0	4.0	16.0	22.0	13.0	26.0	127.0	43.7	65.100	25.400	39.7	M14	52.11	35.96	5.83	UCX 10	FCX 11
UCFCX 12	60	194.0	165.0	117.0	11.0	16.0	20.0	14.0	33.0	140.0	50.7	65.100	25.400	39.7	M14	56.92	39.85	6.57	UCX 11	FCX 12
UCFCX 13	65	194.0	165.0	117.0	11.0	16.0	20.0	14.0	33.0	140.0	55.4	74.600	30.200	44.4	M14	61.81	43.77	7.23	UCX 12	FCX 13
UCFCX 14	70	222.0	190.0	134.0	14.0	19.0	20.0	14.0	36.0	164.0	58.5	77.800	33.300	44.5	M16	66.61	47.85	9.79	UCX 13	FCX 14
UCFCX 15	75	222.0	190.0	134.0	12.0	19.0	22.0	16.0	35.0	164.0	61.3	82.600	33.300	49.3	M16	71.21	51.99	10.83	UCX 14	FCX 15
UCFCX 17	85	260.0	219.0	155.0	10.0	23.0	25.0	19.0	36.0	186.0	66.3	96.000	39.700	56.3	M20	94.16	70.03	16.07	UCX 15	FCX 17

UCFB 200

Normal-Duty 3 Bolt Flange Block
Setscrew Lock
Metric Series

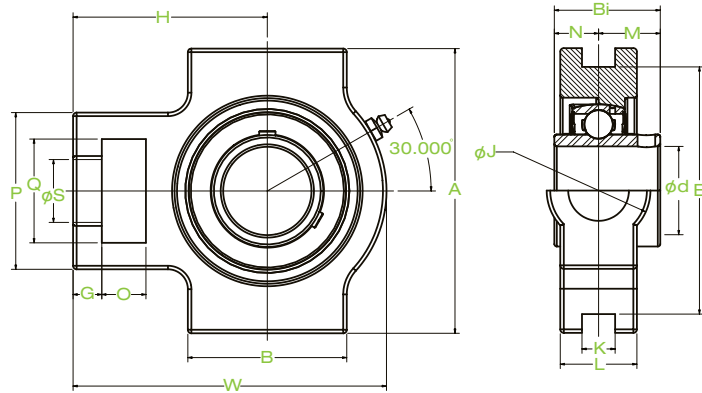


Bearing Number	Dimensions (mm)															Load Rating (kN)		Unit Wt. (kg)	Insert Number	Housing Number	
	d	A	H	E	J	I	G	L	S	B	F	Z	Bi	N	M	Bolt Size	Dy- namic				Static
UCFB 201	12																		0.59	UC 201	FB 204
UCFB 202	15	108.0	42.9	38.1	22.0	15.9	8.0	25.4	10.0	63.5	60.3	34.1	31.000	12.700	18.3	M8	12.75	6.64	0.57	UC 202	
UCFB 203	17																		0.56	UC 203	
UCFB 204	20																		0.54	UC 204	
UCFB 205	25																		121.0	46.0	41.3
UCFB 206	30	137.0	52.4	47.6	31.7	18.6	9.5	32.0	10.0	83.0	70.0	40.9	38.100	15.900	22.2	M8	19.37	11.22	0.92	UC 206	FB 206
UCFB 207	35	156.0	60.3	50.8	31.7	21.0	12.7	36.5	13.0	95.0	83.0	46.4	42.900	17.500	25.4	M10	25.60	15.30	1.21	UC 207	FB 207
UCFB 210	50	190.0	74.6	70.0	41.3	21.8	12.7	38.0	13.0	118.0	102.0	53.6	51.600	19.000	32.6	M10	34.95	23.07	2.58	UC 210	FB 210



UCST 200

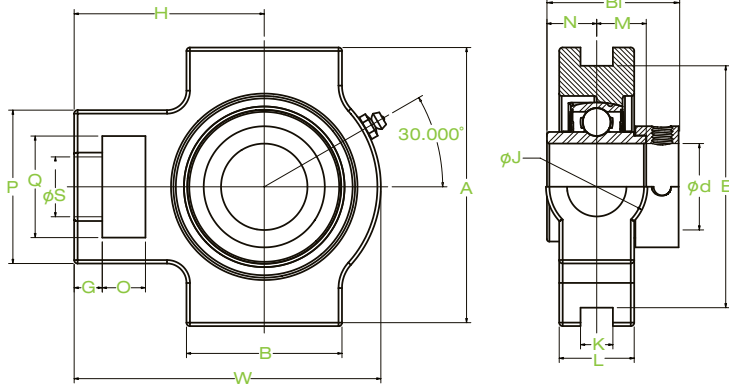
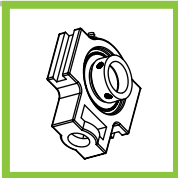
Normal-Duty Ball Bearing
Take-up Unit
Setscrew Lock
Metric Series



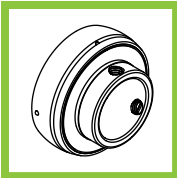
Bearing Number	Dimensions (mm)																Load Rating (kN)		Unit Wt. (kg)	Insert Number	Housing Number	
	d	O	G	P	Q	S	B	K	E	A	W	J	L	H	Bi	M	N	Dynamic				Static
UCST 201	12																			0.69	UC 201	ST 204
UCST 202	15	16.0	10.0	51.0	32.0	19.0	51.0	13.5	76.2	89.0	94.0	32.0	24.0	60.0	31.000	18.300	12.7	12.75	6.64	0.67	UC 202	
UCST 203	17																			0.66	UC 203	
UCST 204	20																			0.64	UC 204	
UCST 205	25																			16.0	10.0	51.0
UCST 206	30	16.0	10.0	56.0	39.0	22.0	57.0	13.5	88.9	102.0	113.0	37.0	24.0	70.0	38.100	22.200	15.9	19.37	11.22	1.11	UC 206	ST 206
UCST 207	35	16.0	13.0	64.0	39.0	22.0	64.0	13.5	88.9	102.0	129.0	37.0	30.0	78.0	42.900	25.400	17.5	25.60	15.30	1.58	UC 207	ST 207
UCST 208	40	19.0	16.0	83.0	49.0	29.0	83.0	17.5	101.6	114.0	144.0	49.0	35.0	89.0	49.200	30.200	19.0	28.99	17.78	2.53	UC 208	ST 208
UCST 209	45	19.0	16.0	83.0	49.0	29.0	83.0	17.5	101.6	117.0	144.0	49.0	35.0	87.0	49.200	30.200	19.0	32.79	20.60	2.41	UC 209	ST 209
UCST 210	50	19.0	16.0	83.0	49.0	29.0	86.0	17.5	101.6	117.0	149.0	49.0	35.0	90.0	51.600	32.600	19.0	34.95	23.07	2.40	UC 210	ST 210
UCST 211	55	25.0	19.0	102.0	64.0	35.0	95.0	27.0	130.2	146.0	171.0	64.0	41.0	106.0	55.600	33.400	22.2	42.98	29.22	4.17	UC 211	ST 211
UCST 212	60	32.0	19.0	102.0	64.0	35.0	102.0	27.0	130.2	146.0	194.0	64.0	46.0	119.0	65.100	39.700	25.4	52.11	35.96	5.12	UC 212	ST 212
UCST 213	65	32.0	21.0	111.0	70.0	41.0	121.0	27.0	150.8	167.0	224.0	70.0	51.0	137.0	65.100	39.700	25.4	56.92	39.85	7.20	UC 213	ST 213
UCST 214	70	32.0	21.0	111.0	70.0	41.0	121.0	27.0	151.0	167.0	224.0	70.0	46.0	137.0	74.600	30.200	44.4	61.81	43.77	7.66	UC 214	ST 214
UCST 215	75	32.0	21.0	111.0	70.0	41.0	121.0	27.0	151.0	167.0	232.0	70.0	48.0	140.0	77.800	44.500	33.3	66.61	47.85	8.29	UC 215	ST 215

HCST 200

Normal-Duty Ball Bearing
Take-up Unit
Eccentric Lock
Metric Series

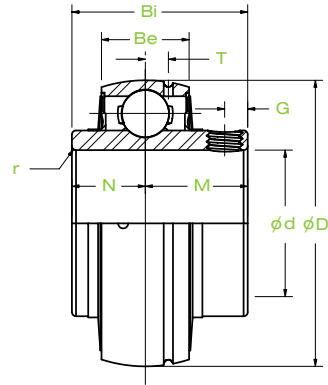


Bearing Number	Dimensions (mm)																Load Rating (kN)		Unit Wt. (kg)	Insert Number	Housing Number		
	d	O	G	P	Q	S	B	K	E	A	W	J	L	H	Bi	M	N	Dynamic				Static	
HCST 201	12																				0.75	HC 201	ST 204
HCST 202	15	16	10	51	32	19	51	13.5	76.2	89	94	32	24	60	43.700	17.1	17.1	11.46	5.97		0.72	HC 202	
HCST 203	17																				0.71	HC 203	
HCST 204	20																				0.69	HC 204	
HCST 205	25																				16	10	51
HCST 206	30	16	10	56	39	22	57	13.5	88.9	102	113	37	24	70	48.400	18.2	18.3	17.42	10.09	1.16	HC 206	ST 206	
HCST 207	35	16	13	64	39	22	64	13.5	88.9	102	129	37	30	78	51.100	18.8	18.8	23.02	13.76	1.71	HC 207	ST 207	
HCST 208	40	19	16	83	49	29	83	17.5	101.6	114	144	49	35	89	56.300	21.4	21.4	26.07	15.98	2.33	HC 208	ST 208	
HCST 209	45	19	16	83	49	29	83	17.5	101.6	117	144	49	35	87	56.300	21.4	21.4	29.49	18.52	2.55	HC 209	ST 209	
HCST 210	50	19	16	83	49	29	86	17.5	101.6	117	149	49	35	90	62.700	24.6	24.6	31.43	20.74	3.70	HC 210	ST 210	
HCST 211	55	25	19	102	64	35	95	27	130.2	146	171	64	41	106	71.400	27.7	27.8	38.65	26.27	4.50	HC 211	ST 211	
HCST 212	60	32	19	102	64	35	102	27	130.2	146	194	64	46	119	77.800	30.9	31	46.86	32.34	5.30	HC 212	ST 212	
HCST 213	65	32	21	111	70	41	121	27	150.8	167	224	70	51	137	85.700	34.1	34.1	51.18	35.83	7.45	HC 213	ST 213	
HCST 214	70	32	21	111	70	41	121	27	151	167	224	70	46	137	85.700	34.1	34.1	55.58	39.36	7.74	HC 214	ST 214	
HCST 215	75	32	21	111	70	41	121	27	151	167	232	70	48	140	92.100	37.3	37.3	59.90	43.03	8.63	HC 215	ST 215	



UC 200

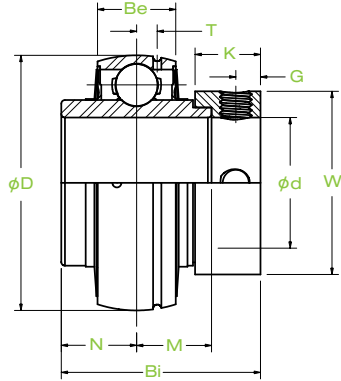
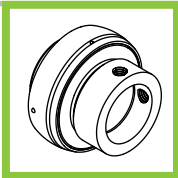
Normal-Duty Ball Bearing
Setscrew Lock
Metric Series



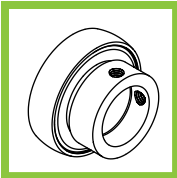
Insert Number	Dimensions (mm)										Load Rating (kN)		Weight (kg)
	d	D	Bi	Be	r	N	M	G	T	Setscrew Size	Dynamic	Static	
UC 201	12	47.00	31.00	17.00	1.00	12.70	18.30	4.50	3.70	M6 x 0.75	12.75	6.64	0.20
UC 202	15												0.19
UC 203	17												0.18
UC 204	20												0.16
UC 205	25	52.00	34.10	17.00	1.50	14.30	19.80	5.00	3.90	M6 x 0.75	13.92	7.81	0.19
UC 206	30	62.00	38.10	19.00	1.50	15.90	22.20	5.00	5.00	M6 x 0.75	19.37	11.22	0.31
UC 207	35	72.00	42.90	20.00	2.00	17.50	25.40	6.00	5.70	M8 x 1	25.60	15.30	0.46
UC 208	40	80.00	49.20	21.00	2.00	19.00	30.20	8.00	6.20	M8 x 1	28.99	17.78	0.63
UC 209	45	85.00	49.20	22.00	2.00	19.00	30.20	8.00	6.40	M8 x 1	32.79	20.60	0.68
UC 210	50	90.00	51.60	24.00	2.00	19.00	32.60	10.00	6.50	M10 x 1.25	34.95	23.07	0.78
UC 211	55	100.00	55.60	25.00	2.50	22.20	33.40	10.00	7.00	M10 x 1.25	42.98	29.22	1.07
UC 212	60	110.00	65.10	27.00	2.50	25.40	39.70	10.00	7.60	M10 x 1.25	52.11	35.96	1.52
UC 213	65	120.00	65.10	28.00	2.50	25.40	39.70	10.00	8.90	M10 x 1.25	56.92	39.85	1.80
UC 214	70	125.00	74.60	30.00	2.50	30.20	44.40	12.00	8.90	M12 x 1.5	61.81	43.77	2.08
UC 215	75	130.00	77.80	32.00	2.50	33.30	44.50	12.00	8.90	M12 x 1.5	66.61	47.85	2.25

HC 200

Normal-Duty Ball Bearing
Eccentric Lock
Metric Series

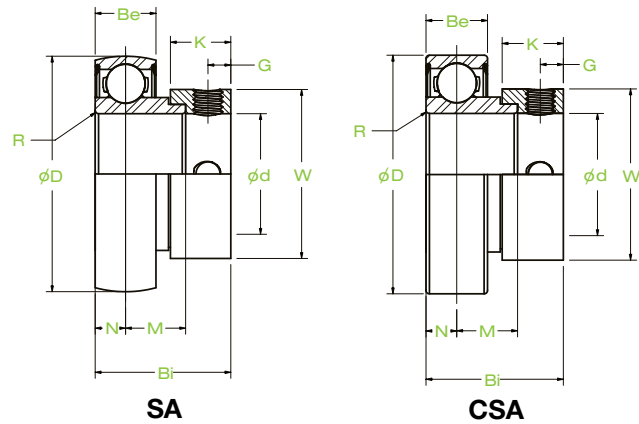


Insert Number	Dimensions (mm)										Load Rating (kN)		Weight (kg)	
	d	D	Bi	Be	N	M	T	W	K	G	Setscrew Size	Dynamic		Static
HC 201	12	47.000	43.700	17.000	17.100	17.100	3.700	33.300	13.500	5.0	M6 x 0.75	12.75	6.64	0.27
HC 202	15													0.24
HC 203	17													0.23
HC 204	20													0.21
HC 205	25	52.000	44.400	17.000	17.500	17.400	3.900	38.100	13.500	5.0	M6 x 0.75	13.92	7.81	0.25
HC 206	30	62.000	48.400	19.000	18.300	18.200	5.000	44.500	15.900	6.0	M8 x 1	19.37	11.22	0.36
HC 207	35	72.000	51.100	20.000	18.800	18.800	5.700	55.600	17.500	6.5	M8 x 1	25.60	15.30	0.59
HC 208	40	80.000	56.300	21.000	21.400	21.400	6.200	60.300	18.300	6.5	M8 x 1	28.99	17.78	0.74
HC 209	45	85.000	56.300	22.000	21.400	21.400	6.400	63.500	18.300	6.5	M8 x 1	32.79	20.60	0.82
HC 210	50	90.000	62.700	24.000	24.600	24.600	6.500	69.900	18.300	6.5	M8 x 1	34.95	23.07	1.08
HC 211	55	100.000	71.400	25.000	27.800	27.700	7.000	76.200	20.700	8.0	M10 x 1.25	42.98	29.22	1.40
HC 212	60	110.000	77.800	24.000	31.000	30.900	7.600	84.200	22.300	8.0	M10 x 1.25	52.11	35.96	1.70
HC 213	65	120.000	85.700	28.000	34.100	34.100	8.900	86.000	23.500	8.5	M10 x 1.25	56.92	39.85	2.05
HC 214	70	125.000	85.700	30.000	34.100	34.100	8.900	90.000	23.500	8.5	M10 x 1.25	61.81	43.77	2.14
HC 215	75	130.000	92.100	32.000	37.300	37.300	8.900	102.000	23.500	8.5	M10 x 1.25	66.61	47.85	2.53



SA 200 CSA 200

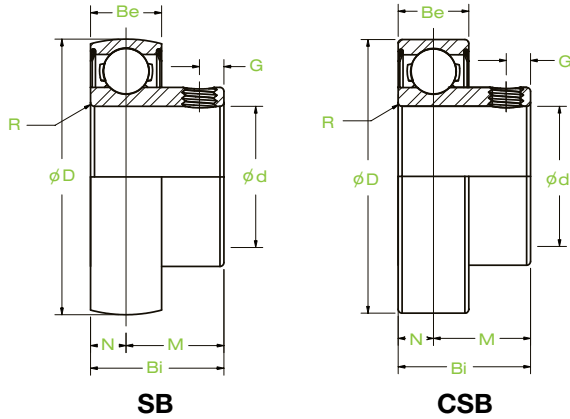
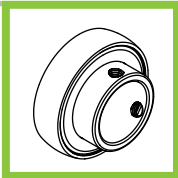
Light-Duty Ball Bearing
Eccentric Lock
Metric Series



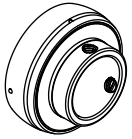
Insert Number		Dimensions (mm)										Load Rating (kN)		Weight (kg)	
		d	D	Bi	Be	r	N	M	W	K	G	Setscrew Size	Dynamic		Static
SA 201	CSA 201	12	47.000	31.000	14.000	1.500	7.000	14.500	33.300	13.500	5.0	M6 x 0.75	12.75	6.64	0.20
SA 202	CSA 202	15													0.19
SA 203	CSA 203	17													0.18
SA 204	CSA 204	20													0.16
SA 205	CSA 205	25	52.000	31.000	15.000	1.500	7.500	14.000	38.100	13.500	5.0	M6 x 0.75	13.92	7.81	0.18
SA 206	CSA 206	30	62.000	35.700	16.000	1.500	8.000	15.800	44.500	15.900	6.0	M8 x 1	19.37	11.22	0.30
SA 207	CSA 207	35	72.000	38.900	17.000	2.000	8.500	16.900	55.600	17.500	6.5	M8 x 1	25.60	15.30	0.50
SA 208	CSA 208	40	80.000	43.700	18.000	2.000	9.000	21.200	60.300	18.300	65.0	M8 x 1	28.99	17.78	0.63
SA 209	CSA 209	45	85.000	43.700	19.000	2.000	9.500	20.700	63.500	18.300	6.5	M8 x 1	32.79	20.60	0.66
SA 210	CSA 210	50	90.000	43.700	20.000	2.000	10.000	20.200	69.900	18.300	6.5	M8 x 1	34.95	23.07	0.80
SA 211	CSA 211	55	100.000	48.400	21.000	2.500	10.500	22.000	76.200	20.700	8.0	M8 x 1	42.98	29.22	0.77
SA 212	CSA 212	60	110.000	53.100	22.000	2.500	11.000	26.100	84.200	22.300	8.0	M10 x 1.25	52.11	35.96	0.99

SB 200 CSB 200

Light-Duty Ball Bearing
Setscrew Lock
Metric Series

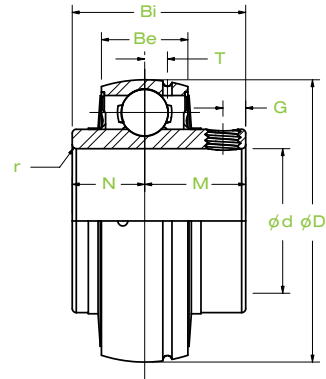


Insert Number		Dimensions (mm)								Load Rating (kN)		Weight (kg)	
		d	D	Bi	Be	r	N	M	G	Setscrew Size	Dynamic		Static
SB 201	CSB 201	12	47.000	25.000	14.000	1.500	7.000	18.000	4.5	M6 x 0.75	12.75	6.64	0.17
SB 202	CSB 202	15											0.15
SB 203	CSB 203	17											0.14
SB 204	CSB 204	20											0.12
SB 205	CSB 205	25	52.000	27.000	15.000	1.500	7.500	19.500	5.0	M6 x 0.75	13.92	7.81	0.17
SB 206	CSB 206	30	62.000	30.000	16.000	1.500	8.000	22.000	5.5	M6 x 0.75	19.37	11.22	0.25
SB 207	CSB 207	35	72.000	32.000	17.000	2.000	8.500	23.500	6.0	M8 x 1	25.60	15.30	0.37
SB 208	CSB 208	40	80.000	34.000	18.000	2.000	9.000	25.000	8.0	M8 x 1	28.99	17.78	0.45
SB 209	CSB 209	45	85.000	41.200	19.000	2.000	10.200	31.000	8.0	M8 x 1	32.79	20.60	0.80
SB 210	CSB 210	50	90.000	43.500	20.000	2.000	10.900	32.600	9.0	M8 x 1	34.95	23.07	0.87
SB 211	CSB 211	55	100.000	45.300	21.000	2.500	11.800	33.500	10.0	M8 x 1	42.98	29.22	1.10
SB 212	CSB 212	60	110.000	53.700	22.000	2.500	14.900	38.800	10.0	M10 x 1.25	52.11	35.96	1.30



UCX 00

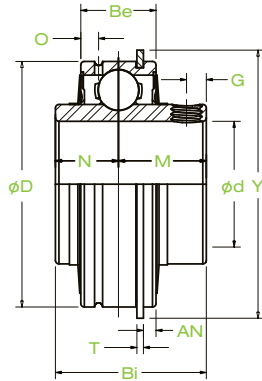
Medium-Duty Ball Bearing
Setscrew Lock
Metric Series



Insert Number	Dimensions (mm)									Load Rating (kN)		Weight (kg)	
	d	D	Bi	Be	r	N	M	G	T	Setscrew Size	Dynamic		Static
UCX 05	25	62.000	38.100	19.000	1.500	15.900	22.200	5.000	5.0	M6 x 0.75	19.37	11.22	0.35
UCX 06	30	72.000	42.900	20.000	2.000	17.500	25.400	6.000	5.7	M8 x 1	25.60	15.30	0.54
UCX 07	35	80.000	49.200	21.000	2.000	19.000	30.200	8.000	6.2	M8 x 1	28.99	17.78	0.70
UCX 08	40	85.000	49.200	22.000	2.000	19.000	30.200	8.000	6.4	M8 x 1	32.79	20.60	0.88
UCX 09	45	90.000	51.600	24.000	2.000	19.000	32.600	10.000	6.5	M10 x 1.25	34.95	23.07	1.03
UCX 10	50	100.000	55.600	25.000	2.500	22.200	33.400	10.000	7.0	M10 x 1.25	42.98	29.22	1.28
UCX 11	55	110.000	65.100	27.000	2.500	25.400	39.700	10.000	7.6	M10 x 1.25	52.11	35.96	1.73
UCX 12	60	120.000	65.100	28.000	2.500	25.400	39.700	10.000	8.9	M10 x 1.25	56.92	39.85	1.87
UCX 13	65	125.000	74.600	30.000	2.500	30.200	44.400	12.000	8.9	M12 x 1.5	61.81	43.77	2.23
UCX 14	70	130.000	77.800	32.000	2.500	33.300	44.500	12.000	8.9	M12 x 1.5	66.61	47.85	2.39
UCX 15	75	140.000	82.600	33.000	3.000	33.300	49.300	14.000	9.6	M12 x 1.5	71.21	51.99	3.33
UCX 17	85	160.000	96.000	37.000	3.000	39.700	56.300	15.000	11.0	M12 x 1.5	94.16	70.03	4.77

SER 200

Normal-Duty Ball Bearing with Snap Ring
Setscrew Lock (Cylindrical O.D.)
Metric Series



Insert Number	Dimensions (mm)												Load Rating (kN)		Weight (kg)	
	d	D	Bi	Be	N	M	T	O	X	AN	Y	G	Setscrew Size	Dynamic		Static
SER 201	12	47.000	31.000	15.900	11.500	19.500	1.070	4.000	15.080	2.460	52.700	5.0	M6 x 0.75	12.75	6.64	0.27
SER 202	15															0.25
SER 203	17															0.23
SER 204	20															0.20
SER 205	25	52.000	34.900	19.100	13.100	21.800	1.070	5.200	15.780	2.460	57.900	5.5	M6 x 0.75	13.92	7.81	0.21
SER 206	30	62.000	38.100	22.200	15.900	22.200	1.650	5.600	15.930	3.180	67.700	5.5	M6 x 0.75	19.37	11.22	0.35
SER 207	35	72.000	42.900	23.800	17.500	25.400	1.650	5.600	18.320	3.180	78.600	6.5	M8 x 1	25.60	15.30	0.51
SER 208	40	80.000	49.200	27.800	19.000	30.200	1.650	6.400	21.100	3.180	86.600	8.0	M8 x 1	28.99	17.78	0.68
SER 209	45	85.000	49.200	27.800	19.000	30.200	1.650	6.400	21.100	3.180	91.600	8.0	M8 x 1	32.79	20.60	0.81
SER 210	50	90.000	51.600	28.600	19.000	32.600	2.410	7.500	23.840	3.180	96.500	9.0	M10 x 1.25	34.95	23.07	0.86
SER 211	55	100.000	55.600	30.200	22.200	33.400	2.410	7.500	23.840	3.180	106.500	9.0	M10 x 1.25	42.98	29.22	1.15
SER 212	60	110.000	65.100	31.800	25.400	39.700	2.410	7.500	29.400	3.180	116.600	10.5	M10 x 1.25	52.11	35.96	1.58

Lubrication Charts

Series		Relubrication Amount		
		G	Oz.	Strokes*
201-204	-	2.0	0.07	1.48
205	-	2.0	0.07	1.48
206	X05	3.0	0.11	2.22
207	X06	3.0	0.11	2.22
208	X07	3.0	0.11	2.22
209	X08	5.0	0.18	3.71
210	X09	5.0	0.18	3.71
211	X10	5.0	0.18	3.71
212	X11	5.0	0.18	3.71
213	X12	8.0	0.28	5.93
214	X13	8.0	0.28	5.93
215	X14	8.0	0.28	5.93

*assuming 20 strokes per oz.

Contamination and Moisture	Bearing Temperature		Relubrication Interval	
	over	under	dn* under 40000	dn* over 40000
Low	-	175	6 - 12 months	3 - 6 months
	175	212	4 - 8 months	1 - 2 months
Moderate	-	175	4 - 8 months	2 - 4 months
	175	212	3 - 6 months	2 - 4 months
Severe	-	175	1 - 2 months	3 - 6 weeks
	175	212	2 - 4 weeks	1 - 2 weeks
Extreme Moisture	-	-	1 - 3 days	Daily

*dn = bore of the bearing (mm) x rpm

Limiting Speed

Bearing Number							Limiting Speed RPM
UC 201-204	HC 201-204	SER 201-204	SA/CSA 201-204	SB/CSB 201-204	-	-	6000
UC 205	HC 205	SER 205	SA/CSA 205	SB/CSB 205	-	-	5300
UC 206	HC 206	SER 206	SA/CSA 206	SB/CSB 206	UK 205	UCX 05	4500
UC 207	HC 207	SER 207	SA/CSA 207	SB/CSB 207	UK 206	UCX 06	3800
UC 208	HC 208	SER 208	SA/CSA 208	SB/CSB 208	UK 207	UCX 07	3400
UC 209	HC 209	SER 209	SA/CSA 209	SB/CSB 209	UK 208	UCX 08	3200
UC 210	HC 210	SER 210	SA/CSA 210	SB/CSB 210	UK 209	UCX 09	2900
UC 211	HC 211	SER 211	SA/CSA 211	SB/CSB 211	UK 210	UCX 10	2600
UC 212	HC 212	SER 212	SA/CSA 212	SB/CSB 212	UK 211	UCX 11	2400
UC 213	HC 213	SER 213	SA/CSA 213	SB/CSB 213	UK 212	UCX 12	2300
UC 214	HC 214	SER 214	SA/CSA 214	SB/CSB 214	UK 213	UCX 13	2200
UC 215	HC 215	SER 215	SA/CSA 215	SB/CSB 215	UK 214	UCX 14	2000

Load Rating Data

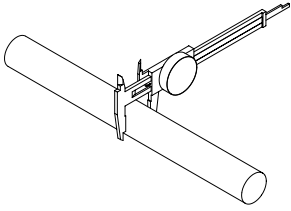
Bearing Number			Radial Load Rating (lbs.) at Various RPM Revolutions per Minute												
Normal Duty	Light Duty	Medium Duty	L10 Hours	50	150	500	750	1000	1750	2000	2500	3500	4500	5000	5500
UC HC SER 201			5000	1162	806	539	471	428	355	340	315	282	259	250	243
			10000	922	640	428	374	340	282	270	250	224	206	199	193
			30000	640	443	297	259	236	196	187	174	155	143	138	133
			50000	539	374	250	219	199	165	158	146	131	120	116	113
			100000	428	297	199	174	158	131	125	116	104	96	92	89
UC HC SER 205	SA CSA SB CSB 205		5000	1269	880	589	515	468	388	371	345	308	283	273	
			10000	1007	698	468	408	371	308	295	273	244	225	217	
			30000	698	484	324	283	257	214	204	190	169	156	150	
			50000	589	408	273	239	217	180	172	160	143	131	127	
			100000	468	324	217	190	172	143	137	127	113	104	101	
UC HC SER 206	SA CSA SB CSB 206	UCX 05	5000	1766	1224	820	716	651	540	516	479	428	394		
			10000	1402	972	651	568	516	428	410	380	340	313		
			30000	972	674	451	394	358	297	284	264	236	217		
			50000	820	568	380	332	302	251	240	222	199	183		
			100000	651	451	302	264	240	199	190	177	158	145		
UC HC SER 207	SA CSA SB CSB 207	UCX 06	5000	2333	1618	1083	946	860	713	682	633	566			
			10000	1852	1284	860	751	682	566	541	503	449			
			30000	1284	890	596	521	473	393	375	349	312			
			50000	1083	751	503	439	399	331	317	294	263			
			100000	860	596	399	349	317	263	251	233	209			
UC HC SER 208	SA CSA SB CSB 208	UCX 07	5000	2643	1832	1227	1072	974	808	773	717				
			10000	2098	1454	974	851	773	641	613	569				
			30000	1454	1008	675	590	536	445	425	395				
			50000	1227	851	569	497	452	375	359	333				
			100000	974	675	452	395	359	298	285	264				
UC HC SER 209	SA CSA SB CSB 209	UCX 08	5000	2989	2073	1387	1212	1101	914	874	811				
			10000	2373	1645	1101	962	874	725	694	644				
			30000	1645	1141	764	667	606	503	481	447				
			50000	1387	962	644	563	511	424	406	377				
			100000	1101	764	511	447	406	337	322	299				

Load Rating Data

Bearing Number			Radial Load Rating and Various RPM (lbs.) Revolutions per Minute													
Normal Duty	Light Duty	Medium Duty	L10 Hours	50	150	500	750	1000	1750	2000	2500	3500	4500	5000	5500	
UC HC SER 210	SA CSA SB CSB 210	UCX 09	5000	3186	2209	1479	1292	1174	974	932	865					
			10000	2529	1753	1174	1025	932	773	739	686					
			30000	1753	1216	814	711	646	536	513	476					
			50000	1479	1025	686	600	545	452	432	401					
			100000	1174	814	545	476	432	359	343	319					
UC HC SER 211	SA CSA SB CSB 211	UCX 10	5000	3918	2717	1819	1589	1443	1198	1146	1064					
			10000	3110	2156	1443	1261	1146	951	909	844					
			30000	2156	1495	1001	874	794	659	630	585					
			50000	1819	1261	844	737	670	556	532	494					
			100000	1443	1001	670	585	532	441	422	392					
UC HC SER 212	SA CSA SB CSB 212	UCX 11	5000	4750	3294	2205	1926	1750	1452	1389						
			10000	3770	2614	1750	1529	1389	1153	1102						
			30000	2614	1813	1213	1060	963	799	764						
			50000	2205	1529	1023	894	812	674	645						
			100000	1750	1213	812	710	645	535	512						
UC HC SER 213		UCX 12	5000	5188	3597	2408	2104	1911	1586	1517						
			10000	4118	2855	1911	1670	1517	1259	1204						
			30000	2855	1980	1325	1158	1052	873	835						
			50000	2408	1670	1118	976	887	736	704						
			100000	1911	1325	887	775	704	584	559						
UC HC SER 214		UCX 13	5000	5635	3907	2615	2285	2076	1723	1648						
			10000	4472	3101	2076	1813	1648	1367	1308						
			30000	3101	2150	1439	1257	1142	948	907						
			50000	2615	1813	1214	1060	963	800	765						
			100000	2076	1439	963	842	765	635	607						
UC HC SER 215		UCX 14	5000	6072	4210	2818	2462	2237	1856	1775						
			10000	4819	3342	2237	1954	1775	1473	1409						
			30000	3342	2317	1551	1355	1231	1022	977						
			50000	2818	1954	1308	1143	1038	862	824						
			100000	2237	1551	1038	907	824	684	654						

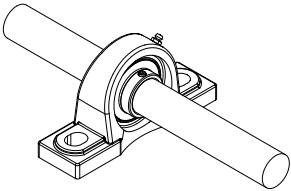
Installation Instructions

Setscrew Style



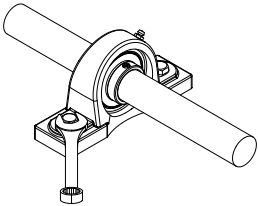
Step 1 – Shaft Preparation

Wipe the shaft clean and remove any burrs that could cause the bearing's inner race to deform when the setscrews are tightened down. Check the shaft diameter against the specifications shown in Table 2. Proper shaft diameter is CRITICAL; undersized shafting is one of the leading causes of bearing failure. If the shaft is not within the tolerance shown in Table 2, its use may lead to premature bearing failure.



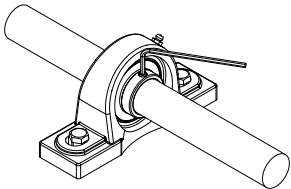
Step 2 – Mounting

Slide the bearing on the shaft to the desired position. DO NOT use anti-seize style lubricant on the shaft or bearing. Leave the setscrews loose.



Step 3 – Base Preparation

Make sure that the base of the mounted bearing and support surface are clean and flat. Any unevenness in the surface can deform proper bearing fits and lead to premature failure. Securely fasten the mounted bearing to the support surface using the machinery manufacturer's recommendations.

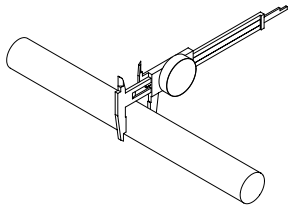


Step 4 – Setscrew Tightening

Begin tightening both setscrews down alternately with the proper torque, shown in Table 1, until both setscrews are locked to the shaft at the proper torque.

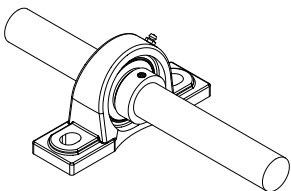
If all the steps above have been followed, the bearing mounting is complete.

Eccentric Collar Style



Step 1 – Shaft Preparation

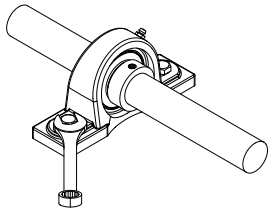
Wipe the shaft clean and remove any burrs that could cause the bearing's inner race to deform when the setscrews are tightened down. Check the shaft diameter against the specifications shown in Table 2. Proper shaft diameter is CRITICAL; undersized shafting is one of the leading causes of bearing failure. If the shaft is not within the tolerance shown in Table 2, its use may lead to premature bearing failure.



Step 2 – Mounting

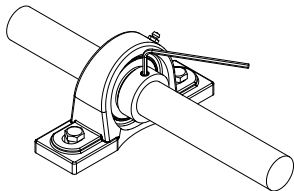
Slide the bearing on the shaft to the desired position. DO NOT use anti-seize style lubricant on the shaft or bearing. Leave setscrew and collar loose on the shaft.

Installation Instructions



Step 3 – Base Preparation

Make sure that the base of the mounted bearing and support surface are clean and flat. Any unevenness in the surface can deform proper bearing fits and lead to premature failure. Securely fasten the mounted bearing to the support surface using the machinery manufacturer's recommendations.



Step 3 – Collar Tightening

Place the eccentric collar on the bearing's inner race and turn rapidly in the direction of rotation until the eccentric grooves engage locking the collar to the bearing. Use a drift or punch in the hole of the collar and drive it sharply with a hammer in the direction of the shaft's rotation. This will help to ensure the lock on the shaft. Tighten the collar's setscrew using the torque recommended in Table 1.

If all the steps above have been followed, the bearing mounting is complete.

Turner Mounted Bearing Removal Instructions

Setscrew Style

Loosen the setscrews from the shaft. Then unbolt the housing from the support surface. Often the bearing will corrode to the shaft. In this situation use a bearing puller or hammer and drift to remove the bearing. Check for proper shaft fits, shown in Table 2, prior to the next installation.

Eccentric Collar Style

Loosen the setscrew in the collar. Use a drift or punch in the hole of the collar and drive it sharply with a hammer in the opposite direction of the shaft's rotation. Once the collar is loose; slide it away from the bearing. Then unbolt the housing from the support surface. Often the bearing will corrode to the shaft. In this situation use a bearing puller or hammer and drift to remove the bearing. Check for proper shaft fits, shown in Table 2, prior to the next installation.

Table 1

Bearing Number						Setscrew Size*		Torque	
						Metric	Inch	In.-Lbs.	N-m
UC 201-206	UCX 05	HC 201-205	SA/CSA 201-206	SB/CSB 201-206	SER 201-206	M6 x 0.75	1/4-28 UNF	35	4.0
UC 207-209	UCX 06-X 08	HC 206-210	SA/CSA 207-211	SB/CSB 207-211	SER 207-209	M8 x 1.0	5/16-24 UNF	78	8.8
UC 210-213	UCX 09-X 11	HC 211-215	SA/CSA 212	SB/CSB 212	SER210-212	M10 x 1.25	3/8-24 UNF	156	17.6
UC 214-215	UCX 12-X 17	-	-	-	-	M12 x 1.5	7/16-20 UNF	243	27.5

*Metric bearings have metric setscrews; inch-dimension bearings have inch-dimensions setscrews.

Table 2

Shaft Diameter			
Over	Including	Tolerance	
in. mm	in. mm	in. mm	in. mm
1/2 10	1 15/16 50	+0 +0	-0.0005 -0.0127
1 15/16 50	3 3/8 85	+0 +0	-0.0010 -0.0254
3 3/8 85	5 127	+0 +0	-0.0015 -0.0381

Interchange Guide

	Turner	Dodge	Fafnir	Seal-Master	Browning	Link Belt	AMI/Asahi	FYH	Peer	Hub City
Pillow Blocks	UCP205-16	P2B-SC-100	YAS 1	NP-16	VPS-216	P3-U216N	UCP205-16	UCP205-16	UCP205-16	-
	HCP205-16	P2B-SXR-100	RAS 1	RP-16E	VPE-216	P3-Y216N	UGP205-16	NAP205-16	HCP205-16	-
	UCAK205-16	P2B-SCB-100	YAK 1	NPL-16	VPLS-216	PL3-U216N	UCLP205-16	SL(UCSL)205-16	UCLP205-16	-
	HCAK205-16	P2B-SXRB-100	RAK 1	RPL-16E	VPLE-216	PL3-Y216N	UGLP205-16	NAPK205-16	HCLP205-16	-
	SBP205-16G	-	SAS 1	VP-16	VPS-116	-	BP205-16	VBP205-16	FHSP205-16G	PB251-1
	SBAK205-16G	-	SAK 1	VPL-16	VPLS-116	-	BLP205-16	VBSL205-16	FHSPL205-16G	PB250-1
	SAP205-16G	P2B-SXV-100	VAS 1	VP-16E	VPE-116	P3-W216U	KHP205-16	VAP205-16	FHP205-16G	PB221-1
	SAAK205-16G	P2B-SXVB-100	VAK 1	VPL-16E	VPLE-116	PL3-W216U	KHLP205-16	VASL205-16	FHLP205-16G	PB220-1
	UCPX05-16	P2B-SCM-100	-	MP-16	VPS-316	-	UCPX05-16	UCPX05-16	UCPX05-16	-
	SBLP205-16G	-	-	-	-	-	BLLP5-16	BLP205-16	FHSPWC205-16	PB100/150-1
	SALP205-16G	-	-	-	-	-	KHLLP205-16	ALP205-16	FHPWC205-16	-
	Tapped Base	UCPA205-16	TB-SC-100	YTB 1	TB-16	VTBS-216	PT3-U216N	UCTB205-16	UCPAN205-16	UCPA205-16
HCPA205-16		TB-SXR-100	RTB 1	RPB-16	VTBE-216	PT3-Y216N	UGTB205-16	NAPAN205-16	HCPA205-16	-
SBPA205-16G		-	STB 1	-	VTBS-116	-	BTB205-16	VBPAN205-16	FHSPA205-16G	TPB250-1
SAPA205-16G		TB-SXV-100	VTB 1	-	VTBE-116	-	KHTB205-16	VAPAN205-16	FHPA205-16G	-
2-Bolt Flange Blocks	UCFL/UCFT205-16	F2B-SC-100	YCJT 1	SFT-16	VF2S-216	FX3-U216N	UCFT205-16	UCFL205-16	UCFT205-16	-
	HCFJT205-16	F2B-SXR-100	RCJT 1	RFT-16E	VF2E-216	FX3-Y216N	UGFJT205-16	NANFL205-16	HCFTS205-16	-
	SBFL205-16G	-	SCJT 1	VFT-16	VF2S-116	-	BFT205-16	VBFL205-16	FHSFT205-16G	FB260-1
	SAFL205-16G	F2B-SXV-100	VCJT 1	VFT-16E	VF2E-116	FX3-W216U	KHFT205-16	VAF205-16	FHFT205-16G	FB230-1
	UCFLX205-16	F2B-SCM-100	-	MSFT-16	VF2S-316	-	UCFLX05-16	-	-	-
	SBLF205-16G	-	GSFTD 1	-	VF2S-116M	-	BLFL5-16	BLF205-16	FHSLF205-16G	FB110/160-1
	SALF205-16G	-	GVFTD 1	-	VF2E-116M	-	KHLFL205-16	ALF205-16	FHLF205-16G	-
4-Bolt Flange Blocks	UCF205-16	F4B-SC-100	YCF 1	SF-16	VF4S-216	F3-U216N	UCF205-16	UCF205-16	UCF205-16	-
	HCFS205-16	F4B-SXR-100	RCF 1	RF-16E	VF4E-216	F3-Y216N	UGSLF205-16	NANF205-16	HCFS205-16	-
	SBF205-16G	-	SCF 1	VF-16	VF4S-116	-	BFF205-16	VBF205-16	FHSF205-16G	FB250-1
	SAF205-16G	F4B-SXV-100	VCF 1	VF-16E	VF4E-116	F3-W216U	KHF205-16	VAF205-16	FHF205-16G	FB220-1
	UCFX05-16	F4B-SCM-100	-	MSF-16	VF4S-316	-	UCFX05-16	UCFX05-16	UCFX05-16	-
Piloted Flange Block	UCFC205-16	-	-	SFC-16	-	-	UCFC205-16	UCFC205-16	UCFC205-16	-
	UCFCX05-16	FC-SCM-100	-	MFC-16	VFCS-316	-	UCFCX05-16	UCFCX05-16	-	FC350-1
Brackets	UCFB205-16	FB-SC-100	-	FB-16	-	FB3-U216N	UCFB205-16	UCFB205-16	UCFB205-16	-
Take-up	UCST205-16	WSTU-SC-100	YTU 1	ST-16	VTWS-216	TH3-U200N	UCST205-16	UCT205-16	UCT205-16	WSTU250-1
	HGST205-16	WSTU-SXR-100	RTU 1	RT-16E	VTWE-216	-	UGST205-16	NAT205-16	HCT205-16	WSTU220-1
	UCTX05-16	WSTU-SCM-100	-	MST-16	VTWS-316	-	UCTX05-16	UCTX05-16	-	-
Hanger	UCHA205-16	SCHB-SC-100 *zerk	RHC 1	SEHB-16	-	-	UCECH205-16	UCHA205-16	UCHA205-16	-
Insert Bearings	UC205-16	INS-SC-100	GY1100KRRB	2-1	VS-216	UG216NL	UC205-16	UC205-16	UC205-16	YW250-1
	HC205-16	INS-SXR-100	G1100KRRB	R-16E	VE-216	YG216NL	UG205-16	NA205-16	HC205-16	YW220-1
	UCX05-16	INS-SCM-100	GYM100KRRB	3-1	VS-316	-	UCX05-16	UCX05-16	UCX05-16	B350-1
	SER205-16	-	ER-16	ER-16	VER-216	-	SER205-16	ER205-16	SER-16	-
	SB205-16	-	YA100RRB	L-16	LS-116	S216EL	B5-16	SB205-16KG5	FHS205-16	B250-1
	SB205-16G	INS-VSC-100	YA100RRB	V-16	VS-116	SG216EL	B5-16	SB205-16KP8	FHS205-16	B250-1
	CSB205-16	-	YA100RR	SL-16	SLS-116	-	BR5-16	SBB205-16	FHSR205-16	-
	SA205-16	-	RA100RRB	L-16E	LE-116	W216UL	KH205-16	SA205-16FP7	FH205-16	B220-1
	SA205-16G	INS-SXV-100	GRA100RRB	V-16E	VE-116	WG216UL	KH205-16	SA205-16FP9	FH205-16	B220-1
	CSA205-16	-	RA100RR	SL-16E	SLE-116	WB216UL	KHR205-16	SAA205-16	FHR205-16	-

- Round Bolt Hole
- Square Bolt Hole

Turner has tried to ensure the accuracy of this document but is not responsible for errors or omissions. Specifications are subject to change without notice.
TRN101 (01/07)

DISTRIBUTED BY:

www.TurnerBearing.com

WHILE TURNER HAS TRIED TO ENSURE THE ACCURACY OF THE INFORMATION CONTAINED IN THIS DOCUMENT, TURNER BEARING ACCEPTS NO RESPONSIBILITY FOR INACCURACIES IN, OR CHANGES TO, SUCH INFORMATION. © 2009. ALL RIGHTS RESERVED.