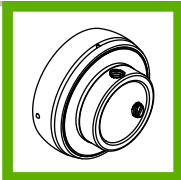


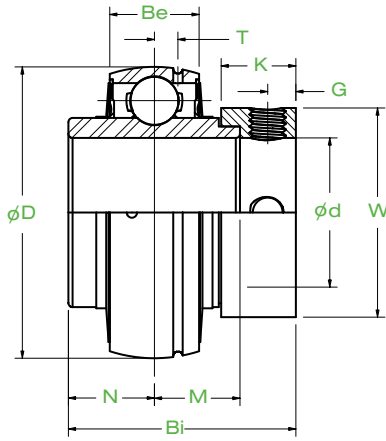
UC 200

Normal-Duty Ball Bearing with Set Screws



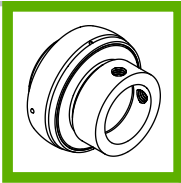
Bearing Number	Dimensions (in.)										Load Rating (lbs.)		Weight (lbs.)
	d	D	Bi	Be	r	N	M	G	T	Setscrew	Dynamic	Static	
UC 201-8	1/2												0.44
UC 202-10	5/8	1.850	1.220	0.669	0.039	0.500	0.720	0.177	0.146	1/4-28	2,866	1,492	0.42
UC 204-12	3/4												0.35
UC 205-14	7/8												0.49
UC 205-15	15/16	2.047	1.343	0.669	0.059	0.563	0.780	0.197	0.154	1/4-28	3,130	1,755	0.44
UC 205-16	1												0.42
UC 206-18	1 1/8												0.75
UC 206-19	1 3/16	2.441	1.500	0.748	0.059	0.626	0.874	0.197	0.197	1/4-28	4,355	2,522	0.71
UC 206-20	1 1/4												0.68
UC 207-20	1 1/4												1.15
UC 207-22	1 3/8	2.835	1.689	0.787	0.079	0.689	1.000	0.236	0.224	5/16-24	5,754	3,439	1.06
UC 207-23	1 7/16												1.01
UC 208-24	1 1/2	3.150	1.937	0.827	0.079	0.748	1.189	0.315	0.244	5/16-24	6,518	3,996	1.50
UC 209-26	1 5/8												1.72
UC 209-27	1 11/16	3.346	1.937	0.866	0.079	0.748	1.189	0.315	0.252	5/16-24	7,372	4,630	1.63
UC 209-28	1 3/4												1.54
UC 210-30	1 7/8												1.87
UC 210-31	1 15/16	3.543	2.031	0.945	0.079	0.748	1.283	0.394	0.256	3/8-24	7,857	5,186	1.76
UC 210-32	2												1.63
UC 211-32	2												2.69
UC 211-34	2 1/8	3.937	2.189	0.984	0.098	0.874	1.315	0.394	0.276	3/8-24	9,663	6,568	2.43
UC 211-35	2 3/16												2.32
UC 212-36	2 1/4												3.64
UC 212-38	2 3/8	4.331	2.563	1.063	0.098	1.000	1.563	0.394	0.299	3/8-24	11,715	8,084	3.29
UC 212-39	2 7/16												3.13
UC 213-40	2 1/2	4.724	2.563	1.102	0.098	1.000	1.563	0.394	0.350	3/8-24	12,795	8,958	4.15
UC 214-43	2 11/16												4.63
UC 214-44	2 3/4	4.921	2.937	1.181	0.098	1.189	1.748	0.472	0.350	7/16-20	13,896	9,839	4.56
UC 215-47	2 15/16												4.87
UC 215-48	3	5.118	3.063	1.260	0.098	1.311	1.752	0.472	0.350	7/16-20	14,975	10,757	4.65

TURNER
Mounted Bearings™



HC 200

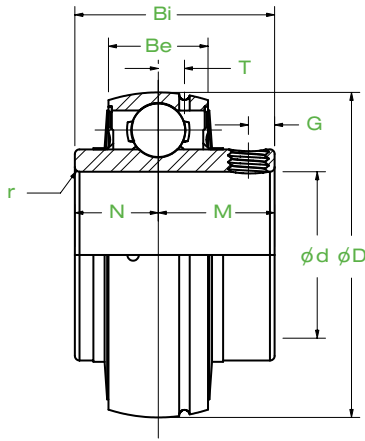
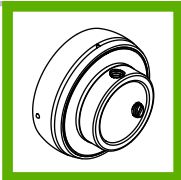
Normal-Duty Ball Bearing with Eccentric Locking Collar



Bearing Number	Dimensions (in.)											Load Rating (lbs.)		Weight (lbs.)
	d	D	Bi	Be	N	M	T	W	K	G	Set-screw	Dynamic	Static	
HC 201-8	1/2													0.60
HC 202-10	5/8	1.850	1.720	0.669	0.673	0.673	0.146	1.311	0.531	0.197	1/4-28	2,866	1,492	0.53
HC 204-12	3/4													0.57
HC 205-14	7/8													0.64
HC 205-15	15/16	2.047	1.748	0.669	0.689	0.685	0.154	1.500	0.531	0.197	1/4-28	3,130	1,755	0.60
HC 205-16	1													0.55
HC 206-18	1 1/8													0.84
HC 206-19	1 3/16	2.441	1.906	0.748	0.720	0.717	0.197	1.752	0.626	0.236	5/16-24	4,355	2,522	0.77
HC 206-20	1 1/4													0.71
HC 207-20	1 1/4													1.43
HC 207-22	1 3/8	2.835	2.012	0.787	0.740	0.740	0.224	2.189	0.689	0.256	5/16-24	5,754	3,439	1.30
HC 207-23	1 7/16													1.21
HC 208-24	1 1/2	3.150	2.217	0.827	0.843	0.843	0.244	2.374	0.720	0.256	5/16-24	6,518	3,996	1.63
HC 209-26	1 5/8													2.05
HC 209-27	1 11/16	3.346	2.217	0.866	0.843	0.843	0.252	2.500	0.720	0.256	5/16-24	7,372	4,630	1.94
HC 209-28	1 3/4													1.85
HC 210-30	1 7/8													2.58
HC 210-31	1 15/16	3.543	2.469	0.945	0.969	0.969	0.256	2.752	0.720	0.256	5/16-24	7,857	5,186	2.45
HC 210-32	2													2.32
HC 211-32	2													3.51
HC 211-34	2 1/8	3.937	2.811	0.984	1.094	1.091	0.276	3.000	0.815	0.315	3/8-24	9,663	6,568	3.20
HC 211-35	2 3/16													3.02
HC 212-36	2 1/4													4.30
HC 212-38	2 3/8	4.331	3.063	0.945	1.220	1.217	0.299	3.315	0.878	0.315	3/8-24	11,715	8,084	3.90
HC 212-39	2 7/16													3.70
HC 213-40	2 1/2	4.724	3.374	1.102	1.343	1.343	0.350	3.386	0.925	0.335	3/8-24	12,795	8,958	4.72
HC 214-43	2 11/16													5.01
HC 214-44	2 3/4	4.921	3.374	1.181	1.343	1.343	0.350	3.543	0.925	0.335	3/8-24	13,896	9,839	4.74
HC 215-47	2 15/16													5.64
HC 215-48	3	5.118	3.626	1.260	1.469	1.469	0.350	4.016	0.925	0.335	3/8-24	14,975	10,757	5.36

UCX00

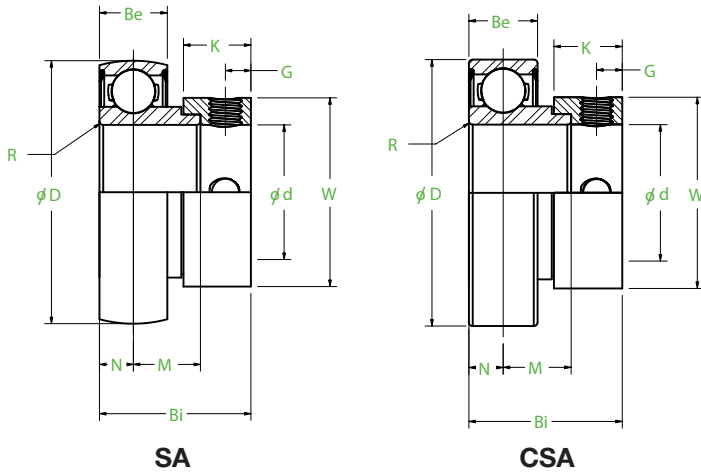
Medium-Duty Ball Bearing with Set Screws



Bearing Number	Dimensions (in.)										Load Rating (lbs.)		Weight (lbs.)
	d	D	Bi	Be	r	N	M	G	T	Setscrew	Dynamic	Static	
UCX 05-16	1	2.441	1.500	0.748	0.059	0.626	0.874	0.197	0.197	1/4-28	4,355	2,522	0.75
UCX 06-18	1 1/8												1.26
UCX 06-19	1 3/16	2.835	1.689	0.787	0.079	0.689	1.000	0.236	0.224	5/16-24	5,754	3,439	1.19
UCX 06-20	1 1/4												1.15
UCX 07-20	1 1/4												1.70
UCX 07-22	1 3/8	3.150	1.937	0.827	0.079	0.748	1.189	0.315	0.244	5/16-24	6,518	3,996	1.54
UCX 07-23	1 7/16												1.48
UCX 08-24	1 1/2	3.346	1.937	0.866	0.079	0.748	1.189	0.315	0.252	5/16-24	7,372	4,630	2.03
UCX 09-26	1 5/8												2.49
UCX 09-27	1 11/16	3.543	2.031	0.945	0.079	0.748	1.283	0.394	0.256	3/8-24	7,857	5,186	2.40
UCX 09-28	1 3/4												2.32
UCX 10-31	1 15/16	3.937	2.189	0.984	0.098	0.874	1.315	0.394	0.276	3/8-24	9,663	6,568	2.89
UCX 11-32	2												4.19
UCX 11-34	2 1/8	4.331	2.563	1.063	0.098	1.000	1.563	0.394	0.299	3/8-24	11,715	8,084	3.90
UCX 11-35	2 3/16												3.75
UCX 12-36	2 1/4												4.41
UCX 12-38	2 3/8	4.724	2.563	1.102	0.098	1.000	1.563	0.394	0.350	3/8-24	12,795	8,958	4.08
UCX 12-39	2 7/16												3.92
UCX 13-40	2 1/2	4.921	2.937	1.181	0.098	1.189	1.748	0.472	0.350	7/16-20	13,896	9,839	5.12
UCX 14-43	2 11/16												5.51
UCX 14-44	2 3/4	5.118	3.063	1.260	0.098	1.311	1.752	0.472	0.350	7/16-20	14,975	10,757	5.29
UCX 15-47	2 15/16												7.41
UCX 15-48	3	5.512	3.252	1.299	0.118	1.311	1.941	0.551	0.378	7/16-20	16,008	11,687	7.12
UCX 17-52	3 1/4												11.05
UCX 17-55	3 7/16	6.299	3.780	1.457	0.118	1.563	2.217	0.591	0.433	7/16-20	21,168	15,744	10.82

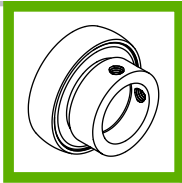
TURNER™

Mounted Bearings



SA200 CSA200

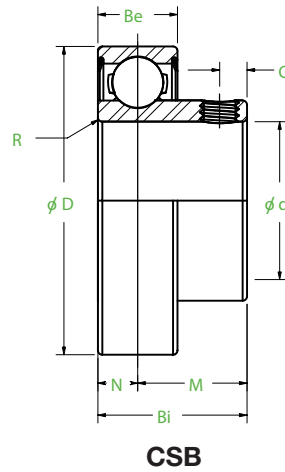
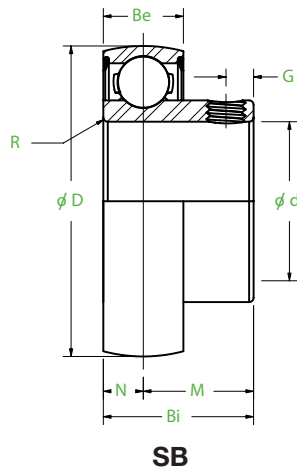
Light-Duty Ball Bearing
with Eccentric Locking Collar



Bearing Number	CSA Bearing Number	Dimensions (in.)										Load Rating (lbs.)		Weight (lbs.)		
		d	D	Bi	Be	r	N	M	W	K	G	Setscrew	Dynamic		Static	
SA 201-8	CSA 201-8	1/2														0.37
SA 202-10	CSA 202-10	5/8	1.850	1.220	0.551	0.059	0.276	0.571	1.311	0.531	0.197	1/4-28	2,866	1,492	0.35	
SA 204-12	CSA 204-12	3/4													0.33	
SA 205-14	CSA 205-14	7/8													0.46	
SA 205-15	CSA 205-15	15/16	2.047	1.220	0.591	0.059	0.295	0.551	1.500	0.531	0.197	1/4-28	3,130	1,755	0.42	
SA 205-16	CSA 205-16	1													0.40	
SA 206-18	CSA 206-18	1 1/8													0.71	
SA 206-19	CSA 206-19	1 3/16	2.441	1.406	0.630	0.059	0.315	0.622	1.752	0.626	0.236	1/4-28	4,355	2,522	0.66	
SA 206-20	CSA 206-20	1 1/4													0.64	
SA 207-20	CSA 207-20	1 1/4													1.21	
SA 207-22	CSA 207-22	1 3/8	2.835	1.531	0.669	0.079	0.335	0.665	2.189	0.689	0.256	5/16-24	5,754	3,439	1.10	
SA 207-23	CSA 207-23	1 7/16													1.04	
SA 208-24	CSA 208-24	1 1/2	3.150	1.720	0.709	0.079	0.354	0.835	2.374	0.720	2.559	5/16-24	6,518	3,996	1.48	
SA 209-26	CSA 209-26	1 5/8													1.63	
SA 209-27	CSA 209-27	1	3.346	1.720	0.748	0.079	0.374	0.815	2.500	0.720	0.256	5/16-24	7,372	4,630	1.59	
SA 209-28	CSA 209-28	1 1/16													1.48	
SA 210-30	CSA 210-30	1 7/8													1.90	
SA 210-31	CSA 210-31	1	3.543	1.720	0.787	0.079	0.394	0.795	2.752	0.720	0.256	5/16-24	7,857	5,186	1.83	
SA 210-32	CSA 210-32	15/16													1.74	
SA 211-32	CSA 211-32	2													2.09	
SA 211-34	CSA 211-34	2 1/8	3.937	1.906	0.827	0.098	0.413	0.866	3.000	0.815	0.315	5/16-24	9,663	6,568	1.90	
SA 211-35	CSA 211-35	2 3/16													1.79	
SA 212-36	CSA 212-36	2 1/4													0.22	
SA 212-38	CSA 212-38	2 3/8	4.331	2.091	0.866	0.098	0.433	1.028	3.315	0.878	0.315	3/8-24	11,715	8,084	2.18	
SA 212-39	CSA 212-39	2 7/16													2.16	

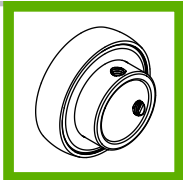
TURNER™

Mounted Bearings



SB200 CSB200

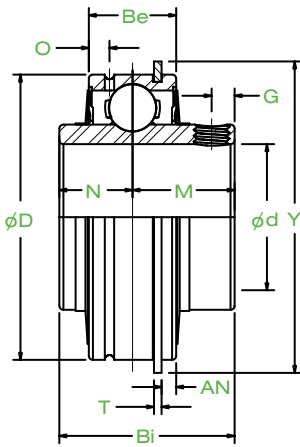
Light-Duty Ball Bearing
with Set Screws



Bearing Number		Dimensions (in.)								Load Rating (lbs.)		Weight (lbs.)	
		d	D	Bi	Be	r	N	M	G	Setscrew	Dynamic		Static
SB 201-8	CSB 201-8	1/2											0.31
SB 202-10	CSB 202-10	5/8	1.850	0.984	0.551	0.059	0.276	0.709	0.177	1/4-28	2,866	1,492	0.29
SB 204-12	CSB 204-12	3/4											0.26
SB 205-14	CSB 205-14	7/8											0.40
SB 205-15	CSB 205-15	15/16	2.047	1.063	0.591	0.059	0.295	0.768	0.197	1/4-28	3,130	1,755	0.37
SB 205-16	CSB 205-16	1											0.35
SB 206-18	CSB 206-18	1 1/8											0.57
SB 206-19	CSB 206-19	1 3/16	2.441	1.181	0.630	0.059	0.315	0.866	0.217	1/4-28	4,355	2,522	0.55
SB 206-20	CSB 206-20	1 1/4											0.51
SB 207-20	CSB 207-20	1 1/4											0.90
SB 207-22	CSB 207-22	1 3/8	2.835	1.260	0.669	0.079	0.335	0.925	0.236	5/16-24	5,754	3,439	0.82
SB 207-23	CSB 207-23	1 7/16											0.77
SB 208-24	CSB 208-24	1 1/2	3.150	1.339	0.709	0.079	0.354	0.984	0.315	5/16-24	6,518	3,996	1.06
SB 209-26	CSB 209-26	1 5/8											1.76
SB 209-27	CSB 209-27	1 11/16	3.346	1.622	0.748	0.079	0.402	1.220	0.315	5/16-24	7,372	4,630	1.76
SB 209-28	CSB 209-28	1 3/4											1.76
SB 210-30	CSB 210-30	1 7/8											1.92
SB 210-31	CSB 210-31	1 15/16	3.543	1.713	0.787	0.079	0.429	1.283	0.354	5/16-24	7,857	5,186	1.92
SB 210-32	CSB 210-32	2											1.92
SB 211-32	CSB 211-32	2											2.43
SB 211-34	CSB 211-34	2 1/8	3.937	1.783	0.827	0.098	0.465	1.319	0.394	5/16-24	9,663	6,568	2.43
SB 211-35	CSB 211-35	2 3/16											2.43
SB 212-36	CSB 212-36	2 1/4											2.87
SB 212-38	CSB 212-38	2 3/8	4.331	2.114	0.866	0.098	0.587	1.528	0.394	3/8-24	11,715	8,084	2.87
SB 212-39	CSB 212-39	2 7/16											2.87

TURNER™

Mounted Bearings



SER 200

Normal-Duty Ball Bearing with Snap Ring
and Set Screws (Cylindrical O.D.)

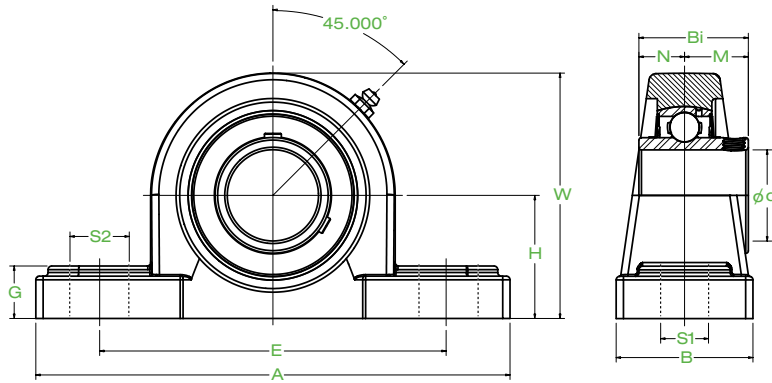
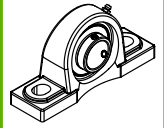


Bearing Number	Dimensions (in.)												Load Rating (lbs.)		Weight (lbs.)	
	d	D	Bi	Be	N	M	T	O	X	AN	Y	G	Setscrew	Dynamic		Static
SER 201-8	1/2															0.60
SER 202-10	5/8	1.850	1.220	0.626	0.453	0.768	0.042	0.157	0.594	0.097	2.075	0.197	1/4-28	2,866	1,492	0.53
SER 204-12	3/4															0.49
SER 205-14	7/8															0.51
SER 205-15	15/16	2.047	1.374	0.752	0.516	0.858	0.042	0.205	0.621	0.097	2.280	0.217	1/4-28	3,130	1,755	0.49
SER 205-16	1															0.44
SER 206-18	1 1/8															0.82
SER 206-19	1 3/16	2.441	1.500	0.874	0.626	0.874	0.065	0.220	0.627	0.125	2.665	0.217	1/4-28	4,355	2,522	0.77
SER 206-20	1 1/4															0.77
SER 207-20	1 1/4															1.23
SER 207-22	1 3/8	2.835	1.689	0.937	0.689	1.000	0.065	0.220	0.721	0.125	3.094	0.256	5/16-24	5,754	3,439	1.15
SER 207-23	1 7/16															1.06
SER 208-24	1 1/2	3.150	1.937	1.094	0.748	1.189	0.065	0.252	0.831	0.125	3.409	0.315	5/16-24	6,518	3,996	1.59
SER 209-26	1 5/8															1.98
SER 209-27	1 11/16	3.346	1.937	1.094	0.748	1.189	0.065	0.252	0.831	0.125	3.606	0.315	5/16-24	7,372	4,630	1.76
SER 209-28	1 3/4															1.81
SER 210-30	1 7/8															2.03
SER 210-31	1 15/16	3.543	2.031	1.126	0.748	1.283	0.095	0.295	0.939	0.125	3.799	0.354	3/8-24	7,857	5,186	1.92
SER 210-32	2															1.87
SER 211-32	2															2.82
SER 211-34	2 1/8	3.937	2.189	1.189	0.874	1.315	0.095	0.295	0.939	0.125	4.193	0.354	3/8-24	9,663	6,568	2.60
SER 211-35	2 3/16															2.47
SER 212-36	2 1/4															3.75
SER 212-38	2 3/8	4.331	2.563	1.252	1.000	1.563	0.095	0.295	1.157	0.125	4.591	0.413	3/8-24	11,715	8,084	3.44
SER 212-39	2 7/16															3.26

TURNER
Mounted Bearings™

UCP 200

Normal-Duty Pillow Block
with Set Screws



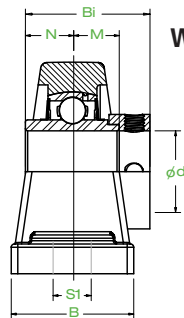
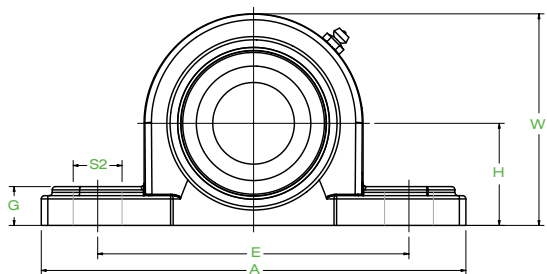
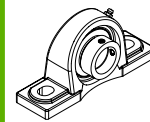
Bearing Number	Dimensions (in.)												Bolt Used	Load Rating (lbs.)		Bearing Insert	Housing Number	Wt. (lbs.)	
	d	H	A	E	B	S2	S1	G	W	Bi	N	M		Dynamic	Static				
UCP 201-8	1/2																UC 201-8		
UCP 202-10	5/8	1.31	5.00	3.74	1.50	0.75	0.51	0.55	2.56	1.220	0.500	0.720	3/8	2,866	1,492	UC 202-10	P 204	1.01	
UCP 204-12	3/4															UC 204-12			
UCP 205-14	7/8															UC 205-14			
UCP 205-15	15/16	1.44	5.51	4.13	1.50	0.75	0.51	0.59	2.80	1.343	0.563	0.780	3/8	3,130	1,755	UC 205-15	P 205	1.32	
UCP 205-16	1															UC 205-16			
UCP 206-18	1 1/8															UC 206-18			
UCP 206-19	1 3/16	1.69	6.50	4.76	1.89	0.83	0.67	0.67	3.27	1.500	0.626	0.874	3/8	4,355	2,522	UC 206-19	P 206	2.14	
UCP 206-20	1 1/4															UC 206-20			
UCP 207-20	1 1/4															UC 207-20			
UCP 207-22	1 3/8	1.87	6.57	5.00	1.89	0.83	0.67	0.71	3.66	1.689	0.689	1.000	1/2	5,754	3,439	UC 207-22	P 207	2.21	
UCP 207-23	1 7/16															UC 207-23			
UCP 208-24	1 1/2	1.94	7.24	5.39	2.13	0.83	0.67	0.71	3.86	1.937	0.748	1.189	1/2	6,518	3,996	UC 208-24	P 208	2.87	
UCP 209-26	1 5/8															UC 209-26			
UCP 209-27	1 11/16	2.13	7.48	5.75	2.13	0.83	0.67	0.79	4.17	1.937	0.748	1.189	1/2	7,372	4,630	UC 209-27	P 209	3.09	
UCP 209-28	1 3/4															UC 209-28			
UCP 210-30	1 7/8															UC 210-30			
UCP 210-31	1 15/16	2.25	8.11	6.26	2.36	0.98	0.79	0.83	4.49	2.031	0.748	1.283	5/8	7,857	5,186	UC 210-31	P 210	4.04	
UCP 210-32	2															UC 210-32			
UCP 211-32	2															UC 211-32			
UCP 211-34	2 1/8	2.50	8.62	6.73	2.36	0.98	0.79	0.91	4.96	2.189	0.874	1.315	5/8	9,663	6,568	UC 211-34	P 211	5.29	
UCP 211-35	2 3/16															UC 211-35			
UCP 212-36	2 1/4															UC 212-36			
UCP 212-38	2 3/8	2.75	9.49	7.24	2.76	0.98	0.79	0.98	5.43	2.563	1.000	1.563	5/8	11,715	8,084	UC 212-38	P 212	6.17	
UCP 212-39	2 7/16															UC 212-39			
UCP 213-40	2 1/2	3.00	10.43	7.99	2.76	1.14	0.98	1.06	5.94	2.563	1.000	1.563	3/4	12,795	8,958	UC 213-40	P 213	7.72	
UCP 214-43	2 11/16															UC 214-43			
UCP 214-44	2 3/4	3.13	10.47	8.27	2.83	1.22	0.98	1.06	6.18	2.937	1.189	1.748	3/4	13,896	9,839	UC 214-44	P 214	9.81	
UCP 215-47	2 15/16															UC 215-47			
UCP 215-48	3	3.25	10.83	8.54	2.91	1.22	0.98	1.10	6.42	3.063	1.311	1.752	3/4	14,975	10,757	UC 215-48	P 215	10.80	

TURNER™

Mounted Bearings

HCAK 200

Normal-Duty Pillow Block
with Eccentric Locking Collar

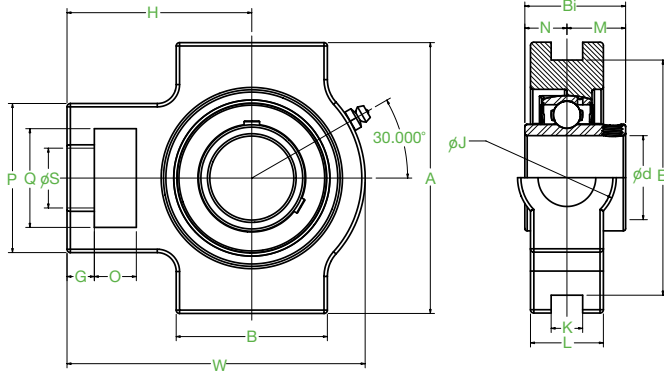
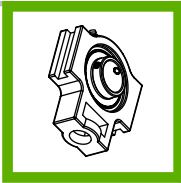


Bearing Number	Dimensions (in.)												Load Rating (lbs.)		Bearing Number	Housing Number	Wt. (lbs.)		
	d	H	A	E	B	S2	S1	G	W	Bi	M	N	Bolt Used	Dynamic				Static	
HCAK 201-8	1/2																HC 201-8		
HCAK 202-10	5/8	0.86	5.24	3.86	1.61	0.63	0.47	0.56	2.52	1.720	0.673	0.673	3/8	2,866	1,492	HC 202-10	AK 204	1.32	
HCAK 204-12	3/4																HC 204-12		
HCAK 205-14	7/8																HC 205-14		
HCAK 205-15	15/16	1.31	5.51	4.13	1.77	0.63	0.47	0.63	2.68	1.748	0.685	0.689	3/8	3,130	1,755	HC 205-15	AK 205	1.59	
HCAK 205-16	1																HC 205-16		
HCAK 206-18	1 1/8																HC 206-18		
HCAK 206-19	1 3/16	1.56	6.30	4.76	1.89	0.75	0.59	0.67	3.15	1.906	0.717	0.720	1/2	4,355	2,522	HC 206-19	AK 206	2.12	
HCAK 206-20	1 1/4																HC 206-20		
HCAK 207-20	1 1/4																HC 207-20		
HCAK 207-22	1 3/8	1.81	6.57	5.00	1.89	0.75	0.59	0.75	3.62	2.012	0.740	0.740	1/2	5,754	3,439	HC 207-22	AK 207	2.49	
HCAK 207-23	1 7/16																HC 207-23		
HCAK 208-24	1 1/2	1.94	7.13	5.51	2.13	0.75	0.59	0.75	3.94	2.217	0.843	0.843	1/2	6,518	3,996	HC 208-24	AK 208	3.15	
HCAK 209-26	1 5/8																HC 209-26		
HCAK 209-27	1 11/16	2.06	7.48	5.75	2.13	0.75	0.59	0.83	4.17	2.217	0.843	0.843	1/2	7,372	4,630	HC 209-27	AK 209	3.64	
HCAK 209-28	1 3/4																HC 209-28		
HCAK 210-30	1 7/8																HC 210-30		
HCAK 210-31	1 15/16	2.19	7.99	6.26	2.24	0.94	0.79	0.87	4.45	2.469	0.969	0.969	5/8	7,857	5,186	HC 210-31	AK 210	4.19	
HCAK 210-32	2																HC 210-32		
HCAK 211-32	2																HC 211-32		
HCAK 211-34	2 1/8	2.44	9.13	7.13	2.36	0.94	0.79	0.98	4.92	2.811	1.091	1.094	5/8	9,663	6,568	HC 211-34	AK 211	5.62	
HCAK 211-35	2 3/16																HC 211-35		
HCAK 212-36	2 1/4																HC 212-36		
HCAK 212-38	2 3/8	2.69	9.49	7.48	2.52	0.94	0.79	1.14	5.43	3.063	1.217	1.220	5/8	11,715	8,084	HC 212-38	AK 212	6.84	
HCAK 212-39	2 7/16																HC 212-39		
HCAK 213-40	2 1/2	2.69	9.76	7.64	2.76	1.14	0.87	1.06	5.55	3.374	1.343	1.343	3/4	12,795	8,958	HC 213-40	AK 213	10.05	
HCAK 214-43	2 11/16																HC 214-43		
HCAK 214-44	2 3/4	3.25	11.57	9.13	2.83	1.26	0.87	1.14	6.30	3.374	1.343	1.343	3/4	13,896	9,839	HC 214-44	AK 214	11.31	
HCAK 215-47	2 15/16																HC 215-47		
HCAK 215-48	3	3.31	11.97	9.49	2.91	1.26	0.87	1.26	6.50	3.626	1.469	1.469	3/4	14,975	10,757	HC 215-48	AK 215	14.66	

TURNER
Mounted Bearings™

UCST 200

Normal-Duty Ball Bearing
Take-up Unit with Set Screws



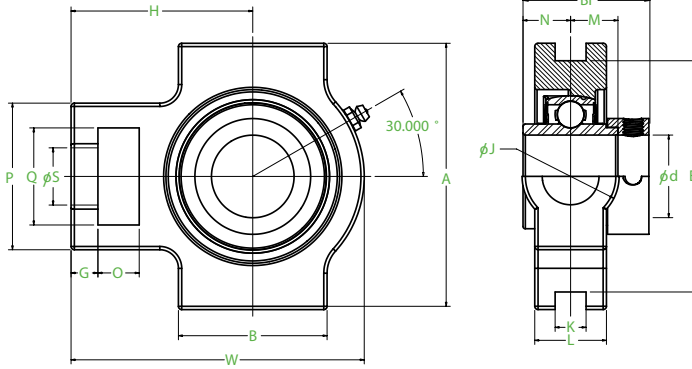
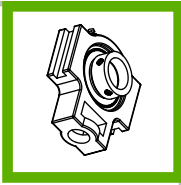
Bearing Number	Dimensions (in.)																Load Rating (lbs.)		Bearing Number	Housing Number	Wt. (lbs.)		
	d	O	G	P	Q	S	B	K	E	A	W	J	L	H	Bi	M	N	Dynamic				Static	
UCST 201-8	1/2																			UC 201-8			
UCST 202-10	5/8	0.63	0.39	2.01	1.26	0.75	2.01	0.53	3.00	3.50	3.70	1.26	0.94	2.36	1.220	0.720	0.500	2,866	1,492	UC 202-10	ST 204	1.23	
UCST 204-12	3/4																			UC 204-12			
UCST 205-14	7/8																			UC 205-14			
UCST 205-15	15/16	0.63	0.39	2.01	1.26	0.87	2.01	0.53	3.00	3.50	3.82	1.26	0.94	2.44	1.343	0.780	0.563	3,130	1,755	UC 205-15	ST 205	1.39	
UCST 205-16	1																			UC 205-16			
UCST 206-18	1 1/8																			UC 206-18			
UCST 206-19	1 3/16	0.63	0.39	2.20	1.46	0.87	2.24	0.53	3.50	4.02	4.45	1.46	0.94	2.76	1.500	0.874	0.626	4,355	2,522	UC 206-19	ST 206	2.09	
UCST 206-20	1 1/4																			UC 206-20			
UCST 207-20	1 1/4																			UC 207-20			
UCST 207-22	1 3/8	0.63	0.51	2.52	1.46	0.87	2.52	0.53	3.50	4.02	5.08	1.46	1.18	3.07	1.689	1.000	0.689	5,754	3,439	UC 207-22	ST 207	2.40	
UCST 207-23	1 7/16																			UC 207-23			
UCST 208-24	1 1/2	0.75	0.63	3.27	1.93	1.14	3.27	0.69	4.00	4.49	5.67	1.93	1.38	3.50	1.937	1.189	0.748	6,518	3,996	UC 208-24	ST 208	3.79	
UCST 209-26	1 5/8																			UC 209-26			
UCST 209-27	1 11/16	0.75	0.63	3.27	1.93	1.14	3.27	0.69	4.00	4.61	5.67	1.93	1.38	3.43	1.937	1.189	0.748	7,372	4,630	UC 209-27	ST 209	3.86	
UCST 209-28	1 3/4																			UC 209-28			
UCST 210-30	1 7/8																			UC 210-30			
UCST 210-31	1 15/16	0.75	0.63	3.27	1.93	1.14	3.39	0.69	4.00	4.61	5.87	1.93	1.38	3.54	2.031	1.283	0.748	7,857	5,186	UC 210-31	ST 210	3.86	
UCST 210-32	2																			UC 210-32			
UCST 211-32	2																			UC 211-32			
UCST 211-34	2 1/8	0.98	0.75	4.02	2.52	1.38	3.74	1.06	5.13	5.75	6.73	2.52	1.61	4.17	2.189	1.315	0.874	9,663	6,568	UC 211-34	ST 211	6.17	
UCST 211-35	2 3/16																			UC 211-35			
UCST 212-36	2 1/4																			UC 212-36			
UCST 212-38	2 3/8	1.26	0.75	4.02	2.52	1.38	4.02	1.06	5.13	5.75	7.64	2.52	1.81	4.69	2.563	1.563	1.000	11,715	8,084	UC 212-38	ST 212	7.50	
UCST 212-39	2 7/16																			UC 212-39			
UCST 213-40	2 1/2	1.26	0.83	4.37	2.76	1.61	4.76	1.06	5.94	6.57	8.82	2.76	2.01	5.39	2.563	1.563	1.000	12,795	8,958	UC 213-40	ST 213	11.03	
UCST 214-43	2 11/16																			UC 214-43			
UCST 214-44	2 3/4	1.26	0.83	4.37	2.76	1.61	4.76	1.06	5.94	6.57	8.82	2.76	1.81	5.39	2.937	1.748	1.189	13,896	9,839	UC 214-44	ST 214	10.36	
UCST 215-47	2 15/16																			UC 215-47			
UCST 215-48	3	1.26	0.83	4.37	2.76	1.61	4.76	1.06	5.94	6.57	9.13	2.76	1.89	5.51	3.063	1.752	1.311	14,975	10,757	UC 215-48	ST 215	11.25	

TURNER

Mounted Bearings™

HCST 200

Duty Ball Bearing Take-up Unit
with Eccentric Locking Collar



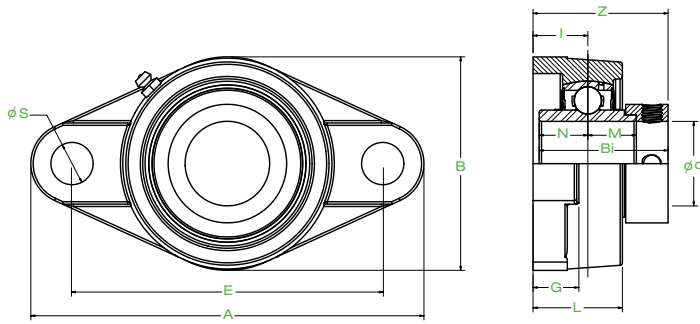
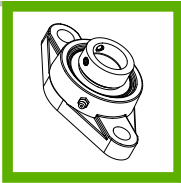
Bearing Number	Dimensions (in.)																Load Rating (lbs.)		Bearing Number	Housing Number	Wt. (lbs.)	
	d	O	G	P	Q	S	B	K	E	A	W	J	L	H	Bi	M	N	Dy-namic				Static
HCST 201-8	1/2																			HC 201-8		
HCST 202-10	5/8	0.63	0.39	2.01	1.26	0.75	2.01	0.53	3.00	3.50	3.70	1.26	0.94	2.36	1.720	0.673	0.673	2,866	1,492	HC 202-10	ST 204	1.23
HCST 204-12	3/4																			HC 204-12		
HCST 205-14	7/8																			HC 205-14		
HCST 205-15	15/16	0.63	0.39	2.01	1.26	0.87	2.01	0.53	3.00	3.50	3.82	1.26	0.94	2.44	1.748	0.685	0.689	3,130	1,755	HC 205-15	ST 205	1.39
HCST 205-16	1																			HC 205-16		
HCST 206-18	1 1/8																			HC 206-18		
HCST 206-19	1 3/16	0.63	0.39	2.20	1.46	0.87	2.24	0.53	3.50	4.02	4.45	1.46	0.94	2.76	1.906	0.717	0.720	4,355	2,522	HC 206-19	ST 206	2.09
HCST 206-20	1 1/4																			HC 206-20		
HCST 207-20	1 1/4																			HC 207-20		
HCST 207-22	1 3/8	0.63	0.51	2.52	1.46	0.87	2.52	0.53	3.50	4.02	5.08	1.46	1.18	3.07	2.012	0.740	0.740	5,754	3,439	HC 207-22	ST 207	2.40
HCST 207-23	1 7/16																			HC 207-23		
HCST 208-24	1 1/2	0.75	0.63	3.27	1.93	1.14	3.27	0.69	4.00	4.49	5.67	1.93	1.38	3.50	2.217	0.843	0.843	6,518	3,996	HC 208-24	ST 208	3.79
HCST 209-26	1 5/8																			HC 209-26		
HCST 209-27	1 11/16	0.75	0.63	3.27	1.93	1.14	3.27	0.69	4.00	4.61	5.67	1.93	1.38	3.43	2.217	0.843	0.843	7,372	4,630	HC 209-27	ST 209	3.86
HCST 209-28	1 3/4																			HC 209-28		
HCST 210-30	1 7/8																			HC 210-30		
HCST 210-31	1 15/16	0.75	0.63	3.27	1.93	1.14	3.39	0.69	4.00	4.61	5.87	1.93	1.38	3.54	2.469	0.969	0.969	7,857	5,186	HC 210-31	ST 210	3.86
HCST 210-32	2																			HC 210-32		
HCST 211-32	2																			HC 211-32		
HCST 211-34	2 1/8	0.98	0.75	4.02	2.52	1.38	3.74	1.06	5.13	5.75	6.73	2.52	1.61	4.17	2.811	1.091	1.094	9,663	6,568	HC 211-34	ST 211	6.17
HCST 211-35	2 3/16																			HC 211-35		
HCST 212-36	2 1/4																			HC 212-36		
HCST 212-38	2 3/8	1.26	0.75	4.02	2.52	1.38	4.02	1.06	5.13	5.75	7.64	2.52	1.81	4.69	3.063	1.217	1.220	11,715	8,084	HC 212-38	ST 212	7.50
HCST 212-39	2 7/16																			HC 212-39		
HCST 213-40	2 1/2	1.26	0.83	4.37	2.76	1.61	4.76	1.06	5.94	6.57	8.82	2.76	2.01	5.39	3.374	1.343	1.343	12,795	8,958	HC 213-40	ST 213	11.03
HCST 214-43	2 11/16																			HC 214-43		
HCST 214-44	2 3/4	1.26	0.83	4.37	2.76	1.61	4.76	1.06	5.94	6.57	8.82	2.76	1.81	5.39	3.374	1.343	1.343	13,896	9,839	HC 214-44	ST 214	10.36
HCST 215-47	2 15/16																			HC 215-47		
HCST 215-48	3	1.26	0.83	4.37	2.76	1.61	4.76	1.06	5.94	6.57	9.13	2.76	1.89	5.51	3.626	1.469	1.469	14,975	10,757	HC 215-48	ST 215	11.25

TURNER

Mounted Bearings

HCFJT 200

Normal Duty 2 Bolt Flange Block
with Eccentric Locking
Collar (Small Hole)

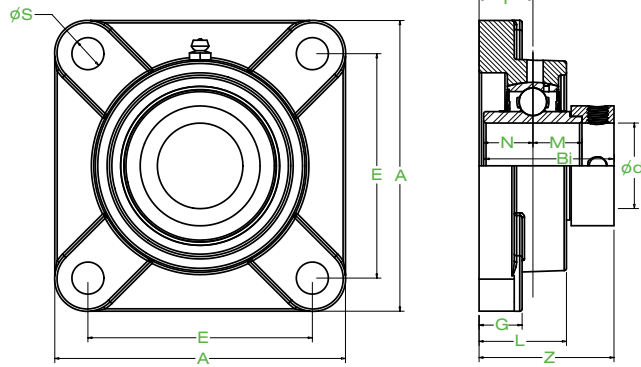
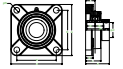


Bearing Number	Dimensions (in.)												Load Rating (lbs.)		Bearing Number	Housing Number	Weight (lbs.)	
	d	A	E	I	G	L	S	B	Z	Bi	M	N	Dynamic	Static				
HCFJT 201-8	1/2															HC 201-8		
HCFJT 202-10	5/8	4.41	3.53	0.75	0.43	1.25	0.41	2.36	1.80	1.720	0.673	0.673	2,866	1,492	HC 202-10	FJT 204	1.30	
HCFJT 204-12	3/4														HC 204-12			
HCFJT 205-14	7/8														HC 205-14			
HCFJT 205-15	15/16	4.88	3.89	0.75	0.51	1.31	0.49	2.76	1.81	1.748	0.685	0.689	3,130	1,755	HC 205-15	FJT 205	1.35	
HCFJT 205-16	1														HC 205-16			
HCFJT 206-18	1 1/8														HC 206-18			
HCFJT 206-19	1 3/16	5.55	4.59	0.81	0.51	1.38	0.49	3.27	1.98	1.906	0.717	0.720	4,355	2,522	HC 206-19	FJT 206	2.29	
HCFJT 206-20	1 1/4														HC 206-20			
HCFJT 207-20	1 1/4														HC 207-20			
HCFJT 207-22	1 3/8	6.14	5.13	0.84	0.59	1.47	0.55	3.74	2.13	2.012	0.740	0.740	5,754	3,439	HC 207-22	FJT 207	3.26	
HCFJT 207-23	1 7/16														HC 207-23			
HCFJT 208-24	1 1/2	6.73	5.66	0.94	0.59	1.69	0.55	4.13	2.31	2.217	0.843	0.843	6,518	3,996	HC 208-24	FJT 208	4.65	
HCFJT 209-26	1 5/8														HC 209-26			
HCFJT 209-27	1 11/16	7.05	5.84	0.94	0.59	1.75	0.63	4.37	2.31	2.217	0.843	0.843	7,372	4,630	HC 209-27	FJT 209	5.60	
HCFJT 209-28	1 3/4														HC 209-28			
HCFJT 210-30	1 7/8														HC 210-30			
HCFJT 210-31	1 15/16	7.44	6.19	1.13	0.59	1.88	0.63	4.57	2.63	2.469	0.969	0.969	7,857	5,186	HC 210-31	FJT 210	5.95	
HCFJT 210-32	2														HC 210-32			
HCFJT 211-32	2														HC 211-32			
HCFJT 211-34	2 1/8	8.50	7.25	1.25	0.83	2.00	0.71	5.24	2.97	2.811	1.091	1.094	9,663	6,568	HC 211-34	FJT 211	8.05	
HCFJT 211-35	2 3/16														HC 211-35			

TURNER
Mounted Bearings™

HCFS 200

Normal Duty 4 Bolt Flange Block
with Eccentric Locking Collar



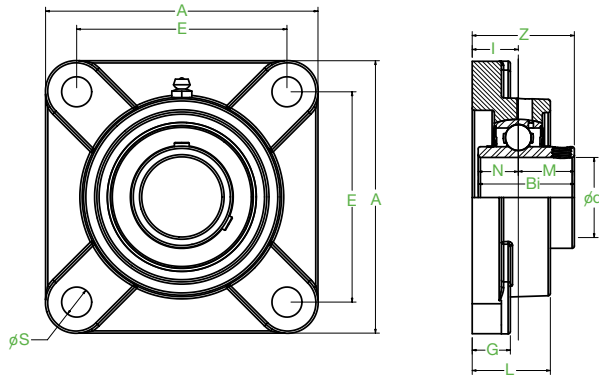
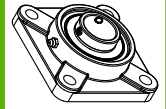
Bearing Number	Dimensions (in.)											Load Rating (lbs.)		Bearing Number	Housing Number	Weight (lbs.)	
	d	A	E	I	G	L	S	Z	Bi	M	N	Dynamic	Static				
HCFS 201-8	1/2														HC 201-8	FS 204	1.28
HCFS 202-10	5/8	3.39	2.50	0.75	0.59	1.16	0.45	1.79	1.720	0.673	0.673	2,866	1,492	HC 202-10			
HCFS 204-12	3/4													HC 204-12			
HCFS 205-14	7/8													HC 205-14	FS 205	1.35	
HCFS 205-15	15/16	3.66	2.76	0.75	0.59	1.18	0.45	1.81	1.748	0.685	0.689	3,130	1,755	HC 205-15			
HCFS 205-16	1													HC 205-16			
HCFS 206-18	1 1/8													HC 206-18	FS 206	1.76	
HCFS 206-19	1 3/16	4.17	3.25	0.79	0.63	1.28	0.51	1.97	1.906	0.717	0.720	4,355	2,522	HC 206-19			
HCFS 206-20	1 1/4													HC 206-20			
HCFS 207-20	1 1/4													HC 207-20	FS 207	2.21	
HCFS 207-22	1 3/8	4.57	3.62	0.83	0.67	1.38	0.51	2.10	2.012	0.740	0.740	5,754	3,439	HC 207-22			
HCFS 207-23	1 7/16													HC 207-23			
HCFS 208-24	1 1/2	5.08	4.00	0.94	0.67	1.54	0.55	2.32	2.217	0.843	0.843	6,518	3,996	HC 208-24	FS 208	2.01	
HCFS 209-26	1 5/8													HC 209-26	FS 209	3.40	
HCFS 209-27	1 11/16	5.31	4.13	0.94	0.71	1.57	0.63	2.32	2.217	0.843	0.843	7,372	4,630	HC 209-27			
HCFS 209-28	1 3/4													HC 209-28			
HCFS 210-30	1 7/8													HC 210-30	FS 210	3.92	
HCFS 210-31	1 15/16	5.63	4.37	1.10	0.79	1.77	0.63	2.60	2.469	0.969	0.969	7,857	5,186	HC 210-31			
HCFS 210-32	2													HC 210-32			
HCFS 211-32	2													HC 211-32	FS 211	5.51	
HCFS 211-34	2 1/8	6.38	5.12	1.22	0.83	1.93	0.67	2.94	2.811	1.091	1.094	9,663	6,568	HC 211-34			
HCFS 211-35	2 3/16													HC 211-35			
HCFS 212-36	2 1/4													HC 212-36	FS 212	6.17	
HCFS 212-38	2 3/8	6.89	5.63	1.34	0.87	2.11	0.67	3.18	3.063	1.217	1.220	11,715	8,084	HC 212-38			
HCFS 212-39	2 7/16													HC 212-39			
HCFS 213-40	2 1/2	7.24	5.87	1.50	0.87	2.28	0.71	3.53	3.374	1.343	1.343	12,795	8,958	HC 213-40	FS 213	7.89	
HCFS 214-43	2 11/16													HC 214-43	FS 214	9.02	
HCFS 214-44	2 3/4	7.40	5.98	1.50	0.91	2.36	0.71	3.53	3.374	1.343	1.343	13,896	9,839	HC 214-44			
HCFS 215-47	2 15/16													HC 215-47	FS 215	10.61	
HCFS 215-48	3	7.87	6.00	1.61	0.94	2.44	0.79	3.77	3.626	1.469	1.469	14,975	10,757	HC 215-48			

TURNER

Mounted Bearings

UCF 200

Normal Duty 4 Bolt Flange Block
with Set Screws



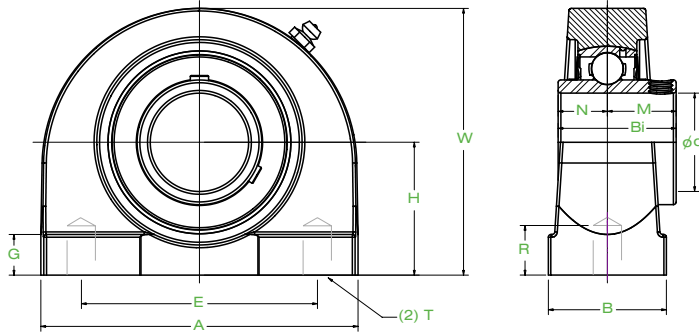
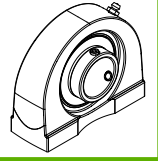
Bearing Number	Dimensions (in.)											Bolt Used	Load Rating (lbs.)		Bearing Insert	Housing Number	Weight (lbs.)
	d	A	E	I	G	L	S	Z	Bi	N	M		Dynamic	Static			
UCF 201-8	1/2														UC 201-8		
UCF 202-10	5/8	3.39	2.52	0.59	0.47	1.00	0.47	1.31	1.220	0.500	0.720	3/8	2,866	1,492	UC 202-10	F 204	1.32
UCF 204-12	3/4														UC 204-12		
UCF 205-14	7/8														UC 205-14		
UCF 205-15	15/16	3.74	2.76	0.63	0.55	1.06	0.47	1.41	1.343	0.563	0.780	3/8	3,130	1,755	UC 205-15	F 205	1.90
UCF 205-16	1														UC 205-16		
UCF 206-18	1 1/8														UC 206-18		
UCF 206-19	1 3/16	4.25	3.27	0.71	0.55	1.22	0.47	1.58	1.500	0.626	0.874	3/8	4,355	2,522	UC 206-19	F 206	2.43
UCF 206-20	1 1/4														UC 206-20		
UCF 207-20	1 1/4														UC 207-20		
UCF 207-22	1 3/8	4.61	3.62	0.75	0.63	1.34	0.55	1.75	1.689	0.689	1.000	1/2	5,754	3,439	UC 207-22	F 207	3.53
UCF 207-23	1 7/16														UC 207-23		
UCF 208-24	1 1/2	5.12	4.02	0.83	0.63	1.42	0.63	2.02	1.937	0.748	1.189	1/2	6,518	3,996	UC 208-24	F 208	4.19
UCF 209-26	1 5/8														UC 209-26		
UCF 209-27	1 11/16	5.39	4.13	0.87	0.71	1.50	0.63	2.06	1.937	0.748	1.189	1/2	7,372	4,630	UC 209-27	F 209	5.29
UCF 209-28	1 3/4														UC 209-28		
UCF 210-30	1 7/8														UC 210-30		
UCF 210-31	1 15/16	5.63	4.37	0.87	0.71	1.57	0.63	2.15	2.031	0.748	1.283	5/8	7,857	5,186	UC 210-31	F 210	5.73
UCF 210-32	2														UC 210-32		
UCF 211-32	2														UC 211-32		
UCF 211-34	2 1/8	6.38	5.12	0.98	0.79	1.69	0.75	2.30	2.189	0.874	1.315	5/8	9,663	6,568	UC 211-34	F 211	7.72
UCF 211-35	2 3/16														UC 211-35		
UCF 212-36	2 1/4														UC 212-36		
UCF 212-38	2 3/8	6.89	5.63	1.14	0.79	1.89	0.75	2.70	2.563	1.000	1.563	5/8	11,715	8,084	UC 212-38	F 212	9.26
UCF 212-39	2 7/16														UC 212-39		
UCF 213-40	2 1/2	7.36	5.87	1.18	0.79	1.97	0.75	2.74	2.563	1.000	1.563	3/4	12,795	8,958	UC 213-40	F 213	11.69
UCF 214-43	2 11/16														UC 214-43		
UCF 214-44	2 3/4	7.60	5.98	1.22	0.94	2.13	0.75	2.97	2.937	1.189	1.748	3/4	13,896	9,839	UC 214-44	F 214	12.13
UCF 215-47	2 15/16														UC 215-47		
UCF 215-48	3	7.87	6.26	1.34	0.94	2.20	0.75	3.09	3.063	1.311	1.752	3/4	14,975	10,757	UC 215-48	F 215	13.67

TURNER™

Mounted Bearings

UCTB 200

Normal-Duty Tapped Base
Pillow Block with Set Screws



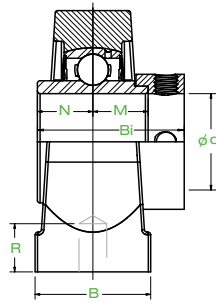
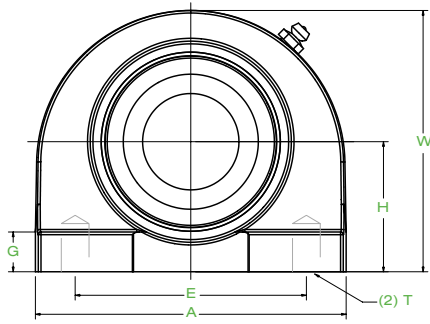
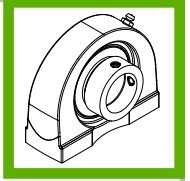
Bearing Number	Dimensions (in.)											Bolt Used	Load Rating (lbs.)		Bearing Number	Housing Number	Wt. (lbs.)		
	d	H	A	E	B	T	R	G	W	Bi	M		N	Dynamic				Static	
UCTB 201-8	1/2																UC 201-8		
UCTB 202-10	5/8	1.31	2.87	2.00	1.50	3/8	0.51	0.43	2.56	1.220	0.720	0.500	3/8-16	2,866	1,492	UC 202-10	TB 204	1.23	
UCTB 204-12	3/4															UC 204-12			
UCTB 205-14	7/8															UC 205-14			
UCTB 205-15	15/16	1.44	2.99	2.00	1.50	3/8	0.51	0.47	2.80	1.343	0.780	0.563	3/8-16	3,130	1,755	UC 205-15	TB 205	1.39	
UCTB 205-16	1															UC 205-16			
UCTB 206-18	1 1/8															UC 206-18			
UCTB 206-19	1 3/16	1.69	4.02	3.00	1.50	7/16	0.63	0.47	3.39	1.500	0.874	0.626	7/16-14	4,355	2,522	UC 206-19	TB 206	2.09	
UCTB 206-20	1 1/4															UC 206-20			
UCTB 207-20	1 1/4															UC 207-20			
UCTB 207-22	1 3/8	1.87	4.25	3.25	1.89	1/2	0.79	0.51	3.74	1.689	1.000	0.689	1/2-13	5,754	3,439	UC 207-22	TB 207	2.40	
UCTB 207-23	1 7/16															UC 207-23			
UCTB 208-24	1 1/2	1.94	4.61	3.50	1.89	1/2	0.79	0.51	3.94	1.937	1.189	0.748	1/2-13	6,518	3,996	UC 208-24	TB 208	3.79	
UCTB 209-26	1 5/8															UC 209-26			
UCTB 209-27	1 11/16	2.13	5.00	3.75	2.01	1/2	0.79	0.55	4.25	1.937	1.189	0.748	1/2-13	7,372	4,630	UC 209-27	TB 209	3.86	
UCTB 209-28	1 3/4															UC 209-28			
UCTB 210-30	1 7/8															UC 210-30			
UCTB 210-31	1 15/16	2.26	5.51	4.00	2.01	5/8	0.91	0.55	4.65	2.031	1.283	0.748	5/8-11	7,857	5,186	UC 210-31	TB 210	3.86	
UCTB 210-32	2															UC 210-32			

TURNER™

Mounted Bearings

HCTB 200

Normal-Duty Tapped Base Pillow Block
with Eccentric Locking Collar

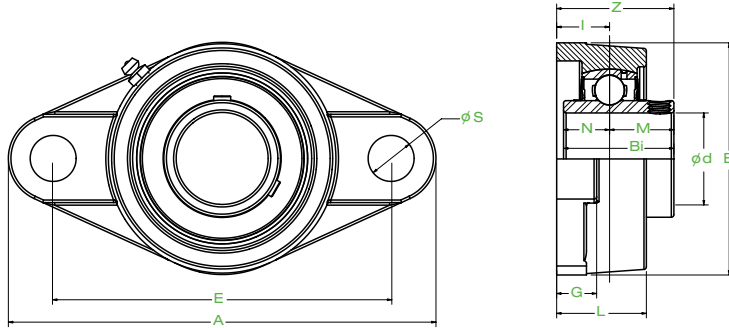
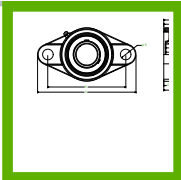


Bearing Number	Dimensions (in.)												Bolt Used	Load Rating (lbs.)		Bearing Number	Housing Number	Weight (lbs.)	
	d	H	A	E	B	T	R	G	W	Bi	M	N		Dynamic	Static				
HCTB 201-8	1/2																HC 201-8		
HCTB 202-10	5/8	1.31	2.87	2.00	1.50	3/8	0.51	0.43	2.56	1.720	0.673	0.673	3/8-16	2,866	1,492	HC 202-10	TB 204	1.23	
HCTB 204-12	3/4																HC 204-12		
HCTB 205-14	7/8																HC 205-14		
HCTB 205-15	15/16	1.44	2.99	2.00	1.50	3/8	0.51	0.47	2.80	1.748	0.685	0.689	3/8-16	3,130	1,755	HC 205-15	TB 205	1.39	
HCTB 205-16	1																HC 205-16		
HCTB 206-18	1 1/8																HC 206-18		
HCTB 206-19	1 3/16	1.69	4.02	3.00	1.50	7/16	0.63	0.47	3.39	1.906	0.717	0.720	7/16-14	4,355	2,522	HC 206-19	TB 206	2.09	
HCTB 206-20	1 1/4																HC 206-20		
HCTB 207-20	1 1/4																HC 207-20		
HCTB 207-22	1 3/8	1.87	4.25	3.25	1.89	1/2	0.79	0.51	3.74	2.012	0.740	0.740	1/2-13	5,754	3,439	HC 207-22	TB 207	2.40	
HCTB 207-23	1 7/16																HC 207-23		
HCTB 208-24	1 1/2	1.94	4.61	3.50	1.89	1/2	0.79	0.51	3.94	2.217	0.843	0.843	1/2-13	6,518	3,996	HC 208-24	TB 208	3.79	
HCTB 209-26	1 5/8																HC 209-26		
HCTB 209-27	1 11/16	2.13	5.00	3.75	2.01	1/2	0.79	0.55	4.25	2.217	0.843	0.843	1/2-13	7,372	4,630	HC 209-27	TB 209	3.86	
HCTB 209-28	1 3/4																HC 209-28		
HCTB 210-30	1 7/8																HC 210-30		
HCTB 210-31	1 15/16	2.26	5.51	4.00	2.01	5/8	0.91	0.55	4.65	2.469	0.969	0.969	5/8-11	7,857	5,186	HC 210-31	TB 210	3.86	
HCTB 210-32	2																HC 210-32		

TURNER
Mounted Bearings™

UCFL 200

Normal Duty 2 Bolt Flange Block
with Set Screws



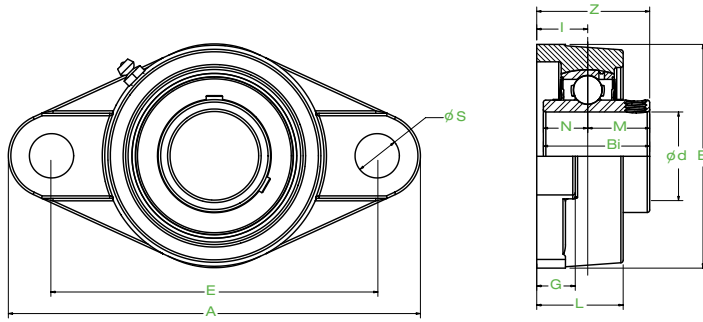
Bearing Number	Dimensions (in.)												Bolt Used	Load Rating (lbs.)		Bearing Insert	Housing Number	Weight (lbs.)	
	d	A	E	I	G	L	S	B	Z	Bi	N	M		Dynamic	Static				
UCFL 201-8	1/2																UC 201-8		
UCFL 202-10	5/8	4.45	3.54	0.59	0.47	1.00	0.47	2.36	1.31	1.220	0.500	0.720	3/8	2,866	1,492	UC 202-10	FL 204	0.62	
UCFL 204-12	3/4															UC 204-12			
UCFL 205-14	7/8															UC 205-14			
UCFL 205-15	15/16	5.12	3.90	0.63	0.55	1.06	0.63	2.68	1.41	1.343	0.563	0.780	1/2	3,130	1,755	UC 205-15	FL 205	0.88	
UCFL 205-16	1															UC 205-16			
UCFL 206-18	1 1/8															UC 206-18			
UCFL 206-19	1 3/16	5.83	4.61	0.71	0.55	1.22	0.63	3.15	1.58	1.500	0.626	0.874	1/2	4,355	2,522	UC 206-19	FL 206	1.19	
UCFL 206-20	1 1/4															UC 206-20			
UCFL 207-20	1 1/4															UC 207-20			
UCFL 207-22	1 3/8	6.34	5.12	0.75	0.63	1.34	0.63	3.54	1.75	1.689	0.689	1.000	1/2	5,754	3,439	UC 207-22	FL 207	1.43	
UCFL 207-23	1 7/16															UC 207-23			
UCFL 208-24	1 1/2	6.89	5.67	0.83	0.63	1.42	0.63	3.94	2.02	1.937	0.748	1.189	1/2	6,518	3,996	UC 208-24	FL 208	1.76	
UCFL 209-26	1 5/8															UC 209-26			
UCFL 209-27	1 11/16	7.40	5.83	0.87	0.71	1.50	0.75	4.25	2.06	1.937	0.748	1.189	5/8	7,372	4,630	UC 209-27	FL 209	2.54	
UCFL 209-28	1 3/4															UC 209-28			
UCFL 210-30	1 7/8															UC 210-30			
UCFL 210-31	1 15/16	7.76	6.18	0.87	0.71	1.57	0.75	4.53	2.15	2.031	0.748	1.283	5/8	7,857	5,186	UC 210-31	FL 210	2.76	
UCFL 210-32	2															UC 210-32			
UCFL 211-32	2															UC 211-32			
UCFL 211-34	2 1/8	8.82	7.24	0.98	0.79	1.69	0.75	5.12	2.30	2.189	0.874	1.315	5/8	9,663	6,568	UC 211-34	FL 211	4.08	
UCFL 211-35	2 3/16															UC 211-35			
UCFL 212-36	2 1/4															UC 212-36			
UCFL 212-38	2 3/8	9.84	7.95	1.14	0.79	1.89	0.91	5.51	2.70	2.563	1.000	1.563	3/4	11,715	8,084	UC 212-38	FL 212	4.63	
UCFL 212-39	2 7/16															UC 212-39			
UCFL 213-40	2 1/2	10.16	8.27	1.18	0.94	1.97	0.91	6.10	2.35	2.563	1.000	1.563	3/4	12,795	8,958	UC 213-40	FL 213	6.17	
UCFL 214-43	2 11/16															UC 214-43			
UCFL 214-44	2 3/4	10.43	8.50	1.22	0.94	2.13	0.91	6.30	2.97	2.937	1.189	1.748	3/4	13,896	9,839	UC 214-44	FL 214	7.06	
UCFL 215-47	2 15/16															UC 215-47			
UCFL 215-48	3	10.83	8.86	1.34	0.94	2.20	0.91	6.50	3.09	3.063	1.311	1.752	3/4	14,975	10,757	UC 215-48	FL 215	7.78	

TURNER

Mounted Bearings

UCFT 200

Normal-Duty 2 Bolt Flange Block
with Set Screws (Small Hole)

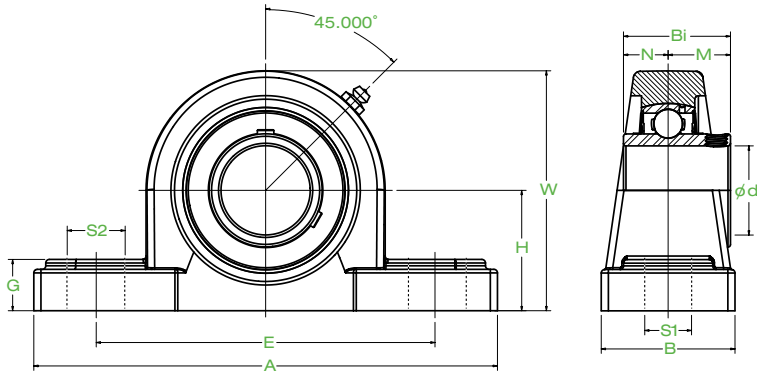
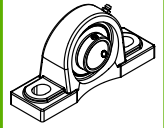


Bearing Number	Dimensions (in.)												Bolt Used	Load Rating (lbs.)		Bearing Insert	Housing Number	Weight (lbs.)	
	d	A	E	I	G	L	S	B	Z	Bi	N	M		Dynamic	Static				
UCFT 201-8	1/2																UC 201-8		
UCFT 202-10	5/8	4.41	3.53	0.56	0.43	0.98	0.41	2.36	1.28	1.220	0.500	0.720	3/8	2,866	1,492	UC 202-10	FT 204	0.62	
UCFT 204-12	3/4																UC 204-12		
UCFT 205-14	7/8																UC 205-14		
UCFT 205-15	15/16	4.88	3.89	0.63	0.51	1.06	0.49	2.76	1.40	1.343	0.563	0.780	1/2	3,130	1,755	UC 205-15	FT 205	1.04	
UCFT 205-16	1																UC 205-16		
UCFT 206-18	1 1/8																UC 206-18		
UCFT 206-19	1 3/16	5.55	4.59	0.70	0.51	1.18	0.49	3.27	1.58	1.500	0.626	0.874	1/2	4,355	2,522	UC 206-19	FT 206	1.21	
UCFT 206-20	1 1/4																UC 206-20		
UCFT 207-20	1 1/4																UC 207-20		
UCFT 207-22	1 3/8	6.14	5.13	0.75	0.55	1.34	0.55	3.74	1.75	1.689	0.689	1.000	1/2	5,754	3,439	UC 207-22	FT 207	1.87	
UCFT 207-23	1 7/16																UC 207-23		
UCFT 208-24	1 1/2	6.73	5.66	0.83	0.55	1.50	0.55	4.13	2.02	1.937	0.748	1.189	1/2	6,518	3,996	UC 208-24	FT 208	1.98	
UCFT 209-26	1 5/8																UC 209-26		
UCFT 209-27	1 11/16	7.05	5.84	0.86	0.55	1.57	0.63	4.37	2.05	1.937	0.748	1.189	5/8	7,372	4,630	UC 209-27	FT 209	2.32	
UCFT 209-28	1 3/4																UC 209-28		
UCFT 210-30	1 7/8																UC 210-30		
UCFT 210-31	1 15/16	7.44	6.19	0.87	0.55	1.57	0.63	4.57	2.16	2.031	0.748	1.283	5/8	7,857	5,186	UC 210-31	FT 210	3.31	
UCFT 210-32	2																UC 210-32		
UCFT 211-32	2																UC 211-32		
UCFT 211-34	2 1/8	8.50	7.25	1.00	0.83	1.73	0.71	5.24	2.30	2.189	0.874	1.315	5/8	9,663	6,568	UC 211-34	FT 211	3.64	
UCFT 211-35	2 3/16																UC 211-35		

TURNER
Mounted Bearings™

UCPX00

Medium Duty Pillow Block
with Set Screws



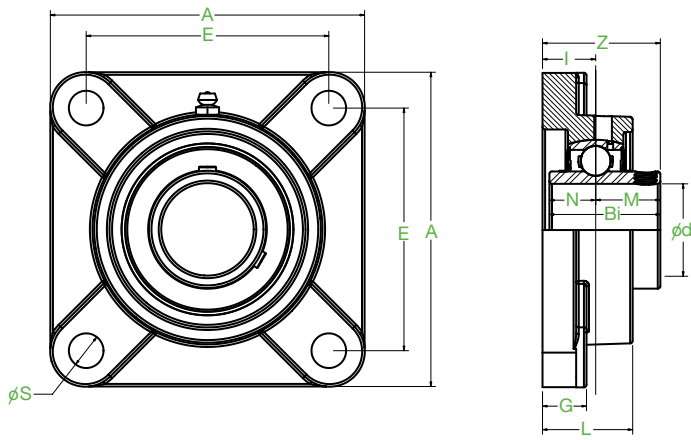
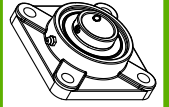
Bearing Number	Dimensions (in.)												Bolt Used	Load Rating (lbs.)		Housing Number	Weight (lbs.)
	d	H	A	E	B	S2	S1	G	W	Bi	N	M		Dynamic	Static		
UCPX 05-16	1	1.75	6.26	4.69	2.01	0.98	0.67	0.71	3.35	1.500	0.626	0.874	1/2	4,355	2,522	PX 05	2.25
UCPX 06-18	1 1/8	1.87	6.89	5.00	2.24	0.98	0.67	0.79	3.70	1.689	0.689	1.000	1/2	5,754	3,439	PX 06	2.93
UCPX 06-19	1 3/16																
UCPX 06-20	1 1/4																
UCPX 07-20	1 1/4	2.13	7.99	5.67	2.24	1.18	0.67	0.87	4.13	1.937	0.748	1.189	1/2	6,518	3,996	PX 07	3.77
UCPX 07-22	1 3/8																
UCPX 07-23	1 7/16																
UCPX 08-24	1 1/2	2.31	8.74	6.14	2.64	1.26	0.79	1.02	4.45	1.937	0.748	1.189	5/8	7,372	4,630	PX 08	4.61
UCPX 09-26	1 5/8	2.31	8.74	6.14	2.64	1.30	0.79	1.02	4.57	2.031	0.748	1.283	5/8	7,857	5,186	PX 09	5.07
UCPX 09-27	1 11/16																
UCPX 09-28	1 3/4																
UCPX 10-31	1 15/16	2.50	9.49	6.73	2.87	1.42	0.79	1.06	4.96	2.189	0.874	1.315	5/8	9,663	6,568	PX 10	6.28
UCPX 11-32	2	2.75	10.24	7.24	3.11	1.42	0.98	1.18	5.47	2.563	1.000	1.563	3/4	11,715	8,084	PX 11	8.91
UCPX 11-34	2 1/8																
UCPX 11-35	2 3/16																
UCPX 12-36	2 1/4	3.00	11.26	7.99	3.27	1.61	0.98	1.26	5.94	2.563	1.000	1.563	3/4	12,795	8,958	PX 12	10.69
UCPX 12-38	2 3/8																
UCPX 12-39	2 7/16																
UCPX 13-40	2 1/2	3.00	11.26	7.99	3.27	1.61	0.98	1.26	6.06	2.937	1.189	1.748	3/4	13,896	9,839	PX 13	11.03
UCPX 14-43	2 11/16	3.50	12.99	9.02	3.50	2.01	1.06	1.38	6.77	3.063	1.311	1.752	7/8	14,975	10,757	PX 14	15.70
UCPX 14-44	2 3/4																
UCPX 15-47	2 15/16	3.50	12.99	9.02	3.50	2.01	1.06	1.38	6.97	3.252	1.311	1.941	7/8	16,008	11,687	PX 15	14.66
UCPX 15-48	3																
UCPX 17-52	3 1/4	4.00	15.00	11.14	4.02	2.32	1.06	1.65	7.95	3.780	1.563	2.217	7/8	21,168	15,744	PX 17	23.46
UCPX 17-55	3 7/16																

TURNER™

Mounted Bearings

UCFX00

Medium Duty 4 Bolt Flange Block
with Set Screws



Bearing Number	Dimensions (in.)											Bolt Used	Load Rating (lbs.)		Housing Number	Weight (lbs.)
	d	A	E	I	G	L	S	Z	Bi	N	M		Dynamic	Static		
UCFX 05-16	1	4.25	3.27	0.71	0.51	1.18	0.47	1.58	1.500	0.626	0.874	3/8	4,355	2,522	FX 05	2.25
UCFX 06-18	1 1/8	4.61	3.62	0.75	0.56	1.34	0.63	1.75	1.689	0.689	1.000	1/2	5,754	3,439	FX 06	3.22
UCFX 06-19	1 3/16															
UCFX 06-20	1 1/4															
UCFX 07-20	1 1/4	5.12	4.02	0.83	0.56	1.50	0.63	2.02	1.937	0.748	1.189	1/2	6,518	3,996	FX 07	4.28
UCFX 07-22	1 3/8															
UCFX 07-23	1 7/16															
UCFX 08-24	1 1/2	5.39	4.13	0.87	0.56	1.57	0.75	2.06	1.937	0.748	1.189	5/8	7,372	4,630	FX 08	4.85
UCFX 09-26	1 5/8	5.63	4.37	0.91	0.56	1.57	0.75	2.19	2.031	0.748	1.283	5/8	7,857	5,186	FX 09	5.34
UCFX 09-27	1 11/16															
UCFX 09-28	1 3/4															
UCFX 10-31	1 15/16	6.38	5.12	1.02	0.79	1.73	0.75	2.34	2.189	0.874	1.315	5/8	9,663	6,568	FX 10	7.52
UCFX 11-32	2	6.89	5.63	1.14	0.79	1.93	0.75	2.70	2.563	1.000	1.563	5/8	11,715	8,084	FX 11	9.97
UCFX 11-34	2 1/8															
UCFX 11-35	2 3/16															
UCFX 12-36	2 1/4	7.36	5.87	1.34	0.83	2.32	0.75	2.90	2.563	1.000	1.563	5/8	12,795	8,958	FX 12	11.73
UCFX 12-38	2 3/8															
UCFX 12-39	2 7/16															
UCFX 13-40	2 1/2	7.36	5.87	1.34	0.83	2.32	0.75	3.09	2.937	1.189	1.748	5/8	13,896	9,839	FX 13	12.19
UCFX 14-43	2 11/16	7.76	5.98	1.46	0.94	2.36	0.91	3.21	3.063	1.311	1.752	3/4	14,975	10,757	FX 14	14.93
UCFX 14-44	2 3/4															
UCFX 15-47	2 15/16	7.76	5.98	1.57	0.94	2.68	0.91	3.52	3.252	1.311	1.941	3/4	16,008	11,687	FX 15	17.24
UCFX 15-48	3															
UCFX 17-52	3 1/4	8.43	6.73	1.57	0.94	2.76	0.91	3.79	3.780	1.563	2.217	3/4	21,168	15,744	FX 17	22.56
UCFX 17-55	3 7/16															

TURNER™

Mounted Bearings